



# Commercial Off-Shore Refrigeration

[www.rtfmanufacturing.com](http://www.rtfmanufacturing.com)

Off-Shore Catalog



**RTF Manufacturing Provides State-of-the-Art, Quality-Designed Refrigeration Equipment for the Marine Industry. Engineered to the Highest Military Specifications.**

**RTF has a full line of models for use in military, commercial, and pleasure vessels:**

- Upright Refrigerators • Upright Freezers • Upright Refrigerator/Freezers
- Under-Counter Refrigerators • Under-Counter Freezers
- Cold Food Counters

## Why Choose RTF Manufacturing?

### Superior Design

RTF refrigerators and freezers are designed using superior heavy gauge stainless steel interiors and exteriors, foamed in place CFC-free urethane insulation, fully hermetic compressors, extra heavy duty chrome plated two point hinges. Positive keyed locking handles provide the best door seal. All units are available in modular/hatchable construction. All units meet UL Standards for safety and performance.

### Durability

RTF refrigerators and freezers are engineered to the highest military specifications. Our continued commitment to the marine industry allows us to witness first hand some of the harshest conditions this equipment operates in and we are proud to say that we pass the test.

### Broad Range of Sizes and Styles

RTF refrigerators and freezers are available in a variety of sizes and styles, each built to the same exacting standards and quality. Our units are used on Navy Vessels, Coast Guard Vessels, Crew Off-Shore Supply Vessels, Container Ships, Push Boats, Fishing Vessels, and Jack-up Drill rigs.

### Immediate Availability

We maintain stock in many of our most popular models for immediate shipment.

### Custom Designs or Special Sizes Made to Order

RTF can build or modify a refrigerator or freezer to fit your requirements. Our CAD drawing department will be happy to assist you in providing all the drawings for your next special project.



# Commercial Off-Shore Refrigeration

[www.rtfmanufacturing.com](http://www.rtfmanufacturing.com)

Off-Shore Catalog

## Price and Value

We deliver reliability, durability and quality at a competitive price.

## Technical Assistance

Have a question or problem? No problem! Call our toll free support hotline: 1-800-836-0744 and our engineering or service department will be happy to assist you. Our staff of highly qualified experts are available from 6:30 a.m. to 5:00 p.m. Eastern Standard Time. Experience the finest in technical support.

## Service Capability

RTF refrigerators and freezers are built using only the highest quality material and components. A network of wholesalers throughout the US and Canada means your motor or compressor can be replaced or repaired fast—with no need to go anywhere else.

## Modular Construction

RTF offers the availability of modular construction to meet the needs of special installation challenges. Confined space and limited accessibility to doorways, hulls, bulkheads and decks is not a problem when installing our expertly engineered modular units.

## Introducing IDXIN® Vacuum Insulation Panel

IDXIN® Vacuum Insulation Panel (VIP) is a new high-efficient ultra thin (8 to 30mm) thermal insulation material using the latest vacuum insulation technique. VIPs are manufactured by inserting a low thermal conductivity core material in a highly impermeable gas barrier which is evacuated and sealed. The result is a highly thermal insulation panel delivering ten fold the thermal performance and 25% energy savings compared to conventional insulation materials, while increasing the usable volume by 20%–30%. VIPs offer extremely low thermal conductivity (only 1/8 of PU), are not harmful to the environment and meet government regulations. RTF's state-of-the-art, quality-designed refrigeration systems continue to provide a full line of reliable, efficient and environmentally safe products and now offer this additional superior insulation to their manufacturing process. Decrease your energy use and energy cost.

---

## RTF Manufacturing is Your Source for Refrigeration and Freezer Equipment for the Marine Industry. Built to Fit Your Plans.

**Call 1-800-836-0744** or **email: [info@rtfmanufacturing.com](mailto:info@rtfmanufacturing.com)** to request a quote today.

RTF has trained personnel available to assist you in product selection, installation and maintenance. Our RTF service department is available to take your call. Discuss your requirements with an RTF engineer and we will provide the assistance you need. A detailed quote and specifications will be provided for each job.

## INTRODUCTION

### *Ten Things You Should Know About RTF Manufacturing!*

- 1. RTF Superior Design Refrigerators and Freezers** are constructed with heavy gauge stainless steel interior and exterior with foamed in place with CFC free urethane insulation. Fully hermetic compressors, extra heavy duty with chrome plated two point hinges. Positive keyed locking handles provides best door seal. All units are available in modular/hatchable construction.
- 2. Complete Size and Style** offering from 4 cubic to 90 cubic feet capacity. RTF Refrigerators and Freezers are available in a verity of sizes and styles. Whether it's a 5 cubic foot under counter or a MODULAR 40 cubic foot freezer, the same exacting standards and quality you expect are built into everyone. Our units are used for Navy Vessels, Coast Guard Vessels, Crew-Off Shore Supply Vessels, Container Ships, Push Boats, Fishing Vessels, and Jack-up Drill rigs. Our units are tough to beat and easy to find from a choice from over 80 models.
- 3. New Pricing and Value** is effective immediately. All of our most popular models have been priced lower to enhance your RTF value package. We offer Reliability, Durability, and quality at a competitive price.
- 4. Stock Availability** of many of our most popular RTF models is available for immediate shipment.
- 5. Technical Assistance** is always available. If you have a question or problem, RTF is there for you. Just call our Toll Free Support Hotline at 1-800-836-0744 and our service department will be happy to assist you. Experience the finest in technical support. Our staff of highly qualified experts is available to you from 6:30AM to 5:00PM Eastern Standard Time.
- 6. Service Capability** RTF Refrigerators and Freezers are built using only the highest grade of materials and are fully hermetic compressors with a network of wholesalers throughout the US and Canada. You can get your motor or compressor repaired or replaced fast with no need to go anywhere else.
- 7. Custom or Special Sizes** are made to fit. RTF can build or modify a Refrigerator or Freezer to fit your requirements. Our CAD drawing department will be happy to assist you in providing all the drawings for your next special project.
- 8. Durability** of RTF Refrigerators and Freezers is possible, because they are engineered to the highest military standards and specifications. Our continued commitment to the marine industry allows us first hand to witness to some of the harshest conditions this equipment operates in and we are proud to say that we pass the test.
- 9. Complete Line of Equipment** offered by RTF includes a wide range of Refrigerators and Freezers. You may call or write for a full line catalog.
- 10. Our Promise** is that all RTF Refrigerators and Freezers exceed the industry standards. You can be confident that the unit you are getting has met the quality level you deserve

## TABLE OF CONTENTS

TITLE PAGE	Page 1
INTRODUCTION General Manufacturing and Product Information	Page 2
TABLE OF CONTENTS	Page 3
LIST MARINE REFRIGERATION UNITS Units designated by Type and Model.	Page 4
MARINE REFRIGERATORS Chapter 1	Page 6
MARINE FREEZERS Chapter 2	Page 26
MARINE REFRIGERATOR/FREEZERS Chapter 3	Page 46
MARINE COLD FOOD COUNTERS Chapter 4	Page 58
MARINE UNDER COUNTER FREEZERS Chapter 5	Page 70
MARINE UNDER COUNTER REFRIGERATORS Chapter 6	Page 82
WARRANTY	Page 94
LOST OR DAMAGED SHIPMENT	Page 95

## MARINE REFRIGERATION UNITS

<b>CHAPTER 1: Marine Refrigerators</b> , Title Page	Page 6
REFRIGERATOR UNITS, Features and Descriptions	
NAV-5-HT-B Unit Features, Description, Modular Assembly, and Specifications	Page 8
NAV-10-HT-B Unit Features, Description, Modular Assembly, and Specifications	Page 10
NAV-15-HT-B Unit Features, Description, Modular Assembly, and Specifications	Page 12
NAV-20-HT-B Unit Features, Description, Modular Assembly, and Specifications	Page 14
NAV-30-HT-B Unit Features, Description, Modular Assembly, and Specifications	Page 16
NAV-40-HT-B Unit Features, Description, Modular Assembly, and Specifications	Page 18
NAV-50-HT-B Unit Features, Description, Modular Assembly, and Specifications	Page 20
NAV-65-HT-B Unit Features, Description, Modular Assembly, and Specifications	Page 22
NAV-75-HT-B Unit Features, Description, Modular Assembly, and Specifications	Page 24
<b>CHAPTER 2: Marine Freezers</b> , Title Page	Page 26
REFRIGERATOR UNITS, Features and Descriptions	
NAV-5-LT-B Unit Features, Description, Modular Assembly, and Specifications	Page 28
NAV-10-LT-B Unit Features, Description, Modular Assembly, and Specifications	Page 30
NAV-15-LT-B Unit Features, Description, Modular Assembly, and Specifications	Page 32
NAV-20-LT-B Unit Features, Description, Modular Assembly, and Specifications	Page 34
NAV-30-LT-B Unit Features, Description, Modular Assembly, and Specifications	Page 36
NAV-40-LT-B Unit Features, Description, Modular Assembly, and Specifications	Page 38
NAV-50-LT Unit Features, Description, Modular Assembly, and Specifications	Page 40
NAV-65-LT-B Unit Features, Description, Modular Assembly, and Specifications	Page 42
NAV-75-LT-B Unit Features, Description, Modular Assembly, and Specifications	Page 44

---

**MARINE REFRIGERATION UNITS** *(Continued)*

<b>CHAPTER 3: Marine Refrigerators/Freezers</b> , Title Page	Page 46
REFRIGERATOR UNITS, Features and Descriptions	
NAV-3-6-HLT-B	Page 48
Unit Features, Description, Modular Assembly, and Specifications	
NAV-6-14-HLT-B	Page 50
Unit Features, Description, Modular Assembly, and Specifications	
NAV-10-10-HLT-B	Page 52
Unit Features, Description, Modular Assembly, and Specifications	
NAV-13-17-HLT-B	Page 54
Unit Features, Description, Modular Assembly, and Specifications	
NAV-17-20-HLT-B	Page 56
Unit Features, Description, Modular Assembly, and Specifications	
<b>CHAPTER 4: Marine Cold Food Counters</b> , Title Page	Page 58
REFRIGERATOR UNITS, Features and Descriptions	
NAV-3-HT-BC-2	Page 60
Unit Features, Description, Modular Assembly, and Specifications	
NAV-4-HT-BC-2	Page 62
Unit Features, Description, Modular Assembly, and Specifications	
NAV-5-HT-BC-2	Page 64
Unit Features, Description, Modular Assembly, and Specifications	
NAV-6-HT-BC-2	Page 66
Unit Features, Description, Modular Assembly, and Specifications	
NAV-8-HT-BC-2	Page 68
Unit Features, Description, Modular Assembly, and Specifications	
<b>CHAPTER 5: Marine Under Counter Freezers</b> , Title Page	Page 70
REFRIGERATOR UNITS, Features and Descriptions	
NAV-5-LT-CT	Page 72
Unit Features, Description, Modular Assembly, and Specifications	
NAV-10-LT-CT	Page 74
Unit Features, Description, Modular Assembly, and Specifications	
NAV-15-LT-CT	Page 76
Unit Features, Description, Modular Assembly, and Specifications	
NAV-20-LT-CT	Page 78
Unit Features, Description, Modular Assembly, and Specifications	
NAV-30-LT-CT	Page 80
Unit Features, Description, Modular Assembly, and Specifications	
<b>CHAPTER 6: Marine Under Counter Refrigerators</b> , Title Page	Page 82
REFRIGERATOR UNITS, Features and Descriptions	
NAV-5-HT-CT	Page 84
Unit Features, Description, Modular Assembly, and Specifications	
NAV-10-HT-CT	Page 86
Unit Features, Description, Modular Assembly, and Specifications	
NAV-15-HT-CT	Page 88
Unit Features, Description, Modular Assembly, and Specifications	
NAV-20-HT-CT	Page 90
Unit Features, Description, Modular Assembly, and Specifications	
NAV-30-HT-CT	Page 92
Unit Features, Description, Modular Assembly, and Specifications	

## CHAPTER 1

# MARINE REFRIGERATORS



## MARINE REFRIGERATOR FEATURES AND DESCRIPTION

### Optional Equipment

- *Modular Design*
- *Aluminum Construction*
- *Digital Thermometer*
- *Spring Assist Hinges*

### Heavy Duty Refrigeration System

- *Ozone safe R-134A refrigerant*
- *Wrapped refrigeration system*
- *Sealed, condensing unit, air or water cooled with pull out design*
- *Preset temperature controls*
- *Thermostatic expansion valve*

### Construction

- *Heavy gauge stainless steel #304 interior and exterior*
- *Formed in place, CFC Free Urethane insulation, highest R-value*
- *Stainless steel spill proof shelves*
- *2" exterior reading dial thermometer*
- *Extra heavy duty chrome plated hinges*
- *Positive keyed locking handle provides best seal*
- *Interior lighting activated by door switch*
- *Vinyl extruded replacement gaskets*
- *Heavy base frame*



# Model NAV-5-HT-B REFRIGERATION UNIT

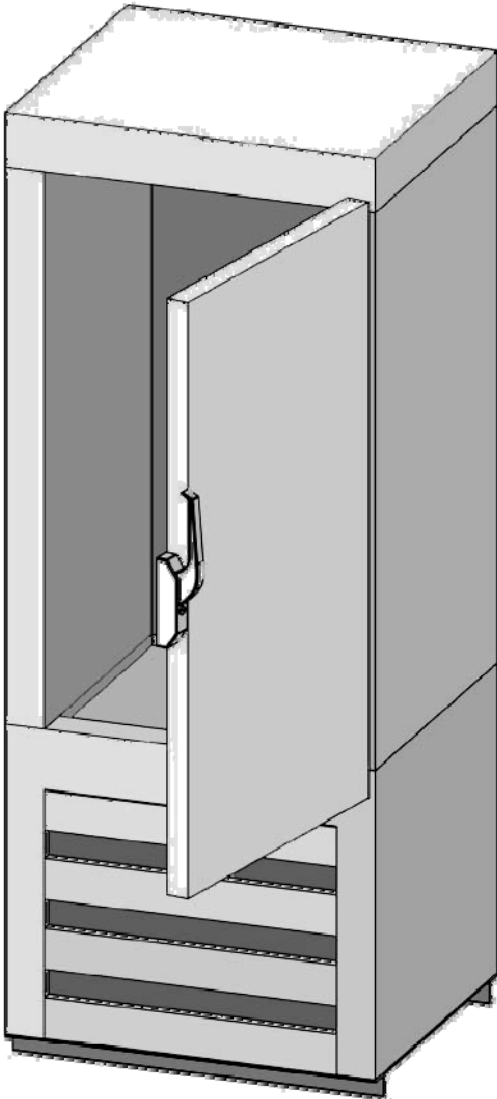


Figure 1 – NAV-5-HT-B Refrigeration Unit

## MODEL SPECIFICATIONS

<b>NAV-5-HT-B Refrigeration Unit</b>	
INTERIOR VOLUME (CU.FT)	<b>7.5</b>
WIDTH	<b>24"</b>
HEIGHT	<b>61"</b>
DEPTH	<b>21"</b>
BODY DEPTH W/DOORS	<b>23"</b>
NUMBER OF SHELVES	<b>2</b>
NUMBER OF DOORS	<b>1</b>
ASSEMBLED WEIGHT (LBS)	<b>375</b>
CRATED WEIGHT (LBS)	<b>410</b>
REFRIGERANT	<b>R134A</b>
BTU / HOUR	<b>2600</b>
VOLTAGE	<b>115</b>
AMPERE	<b>4</b>
PHASE	<b>1</b>
COMPRESSOR	<b>1/4 HP</b>
SERVICE DISCONNECT	<b>YES</b>

NAV-5-HT-B Specifications

# Model NAV-10-HT-B REFRIGERATION UNIT

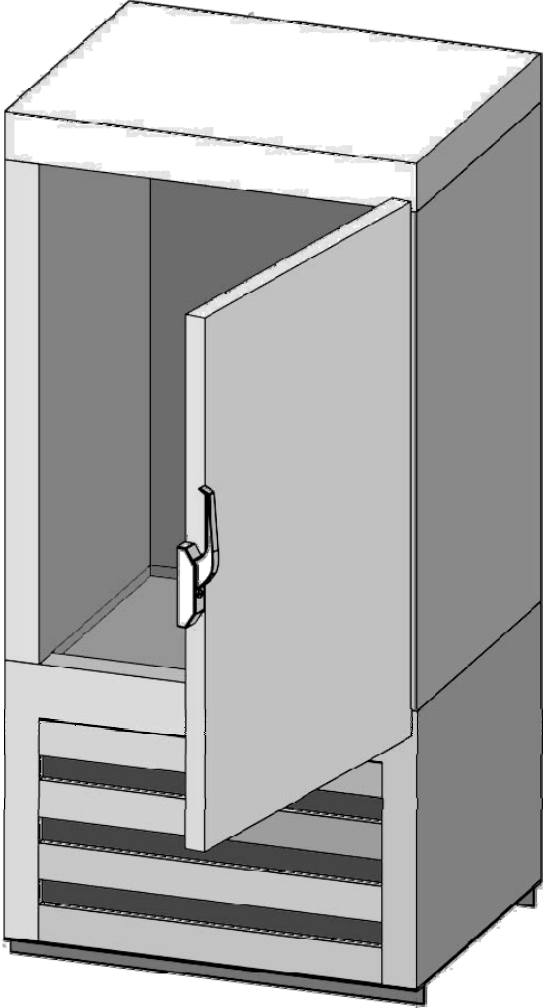


Figure 2 – NAV-10-HT-B Refrigeration Unit

## MODEL SPECIFICATIONS

<b>NAV-10-HT-B Refrigeration Unit</b>	
INTERIOR VOLUME (CU.FT)	<b>10</b>
WIDTH	<b>30"</b>
HEIGHT	<b>61"</b>
DEPTH	<b>24"</b>
BODY DEPTH W/DOORS	<b>26"</b>
NUMBER OF SHELVES	<b>2</b>
NUMBER OF DOORS	<b>1</b>
ASSEMBLED WEIGHT (LBS)	<b>390</b>
CRATED WEIGHT (LBS)	<b>435</b>
REFRIGERANT	<b>R134A</b>
BTU / HOUR	<b>2800</b>
VOLTAGE	<b>115</b>
AMPERE	<b>7</b>
PHASE	<b>1</b>
COMPRESSOR	<b>1/4 HP</b>
SERVICE DISCONNECT	<b>YES</b>

NAV-10-HT-B Specifications

## Model NAV-15-HT-B REFRIGERATION UNIT

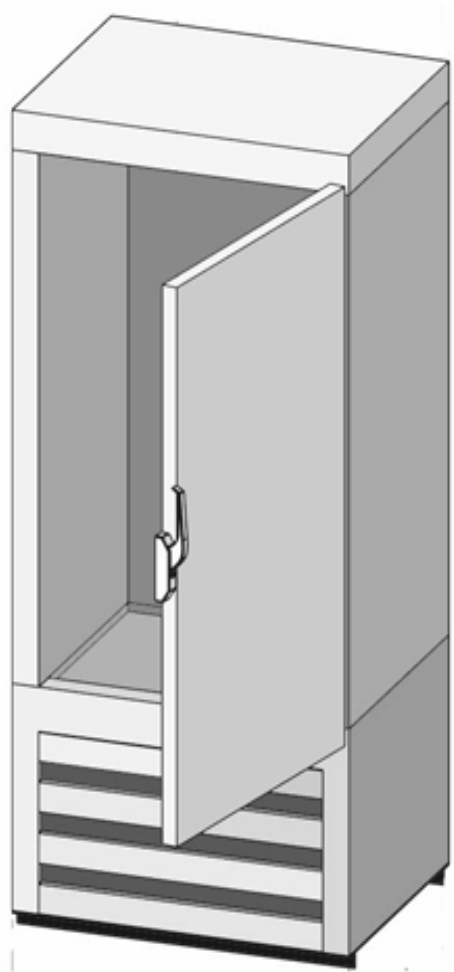


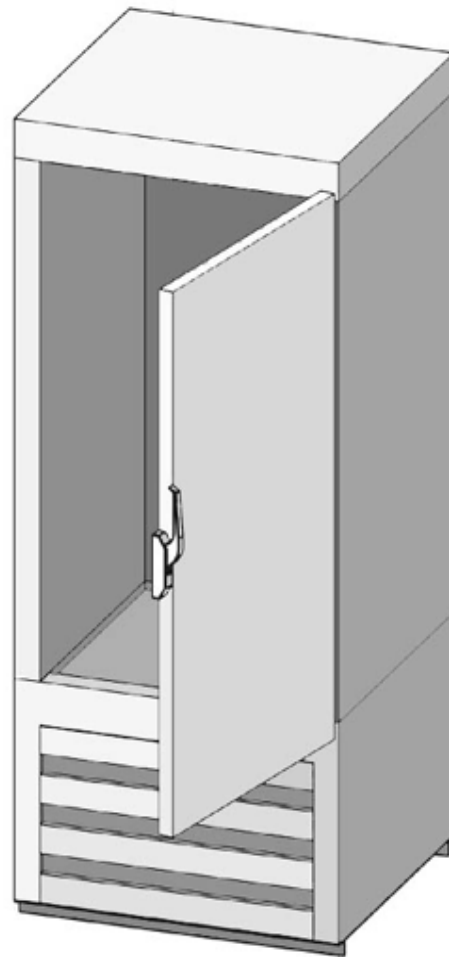
Figure 3 – NAV-15-HT-B Refrigeration Unit

## MODEL SPECIFICATIONS

<b>NAV-15-HT-B Refrigeration Unit</b>	
INTERIOR VOLUME (CU.FT)	<b>15</b>
WIDTH	<b>32"</b>
HEIGHT	<b>72"</b>
DEPTH	<b>25"</b>
BODY DEPTH W/DOORS	<b>27"</b>
NUMBER OF SHELVES	<b>4</b>
NUMBER OF DOORS	<b>1</b>
ASSEMBLED WEIGHT (LBS)	<b>475</b>
CRATED WEIGHT (LBS)	<b>510</b>
REFRIGERANT	<b>R134A</b>
BTU / HOUR	<b>3000</b>
VOLTAGE	<b>115</b>
AMPERE	<b>7</b>
PHASE	<b>1</b>
COMPRESSOR	<b>1/3 HP</b>
SERVICE DISCONNECT	<b>YES</b>

NAV-15-HT-B Specifications

## **Model NAV-20-HT-B REFRIGERATION UNIT**



NAV-20-HT-B Refrigeration Unit

## MODEL SPECIFICATIONS

<b>NAV-20-HT-B Refrigeration Unit</b>	
INTERIOR VOLUME (CU.FT)	<b>20</b>
WIDTH	<b>32"</b>
HEIGHT	<b>72"</b>
DEPTH	<b>30"</b>
BODY DEPTH W/DOORS	<b>32"</b>
NUMBER OF SHELVES	<b>4</b>
NUMBER OF DOORS	<b>1</b>
ASSEMBLED WEIGHT (LBS)	<b>580</b>
CRATED WEIGHT (LBS)	<b>620</b>
REFRIGERANT	<b>R134A</b>
BTU / HOUR	<b>3800</b>
VOLTAGE	<b>115</b>
AMPERE	<b>6</b>
PHASE	<b>1</b>
COMPRESSOR	<b>1/3 HP</b>
SERVICE DISCONNECT	<b>YES</b>

NAV-20-HT-B Specifications



## **Model NAV-30-HT-B REFRIGERATION UNIT**

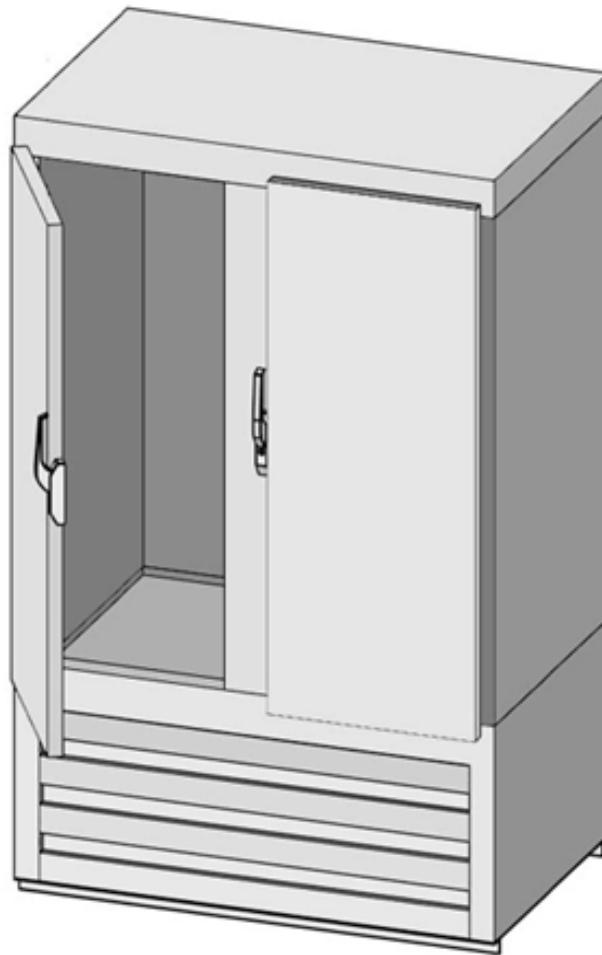


Figure 5 – NAV-30-HT-B Refrigeration Unit

## MODEL SPECIFICATIONS

<b>NAV-30-HT-B Refrigeration Unit</b>	
INTERIOR VOLUME (CU.FT)	<b>30</b>
WIDTH	<b>48"</b>
HEIGHT	<b>72"</b>
DEPTH	<b>30"</b>
BODY DEPTH W/DOORS	<b>32"</b>
NUMBER OF SHELVES	<b>6</b>
NUMBER OF DOORS	<b>2</b>
ASSEMBLED WEIGHT (LBS)	<b>610</b>
CRATED WEIGHT (LBS)	<b>720</b>
REFRIGERANT	<b>R134A</b>
BTU / HOUR	<b>4500</b>
VOLTAGE	<b>115</b>
AMPERE	<b>9</b>
PHASE	<b>1</b>
COMPRESSOR	<b>1/2 HP</b>
SERVICE DISCONNECT	<b>YES</b>

NAV-30-HT-B Specifications

# Model NAV-40-HT-B REFRIGERATION UNIT

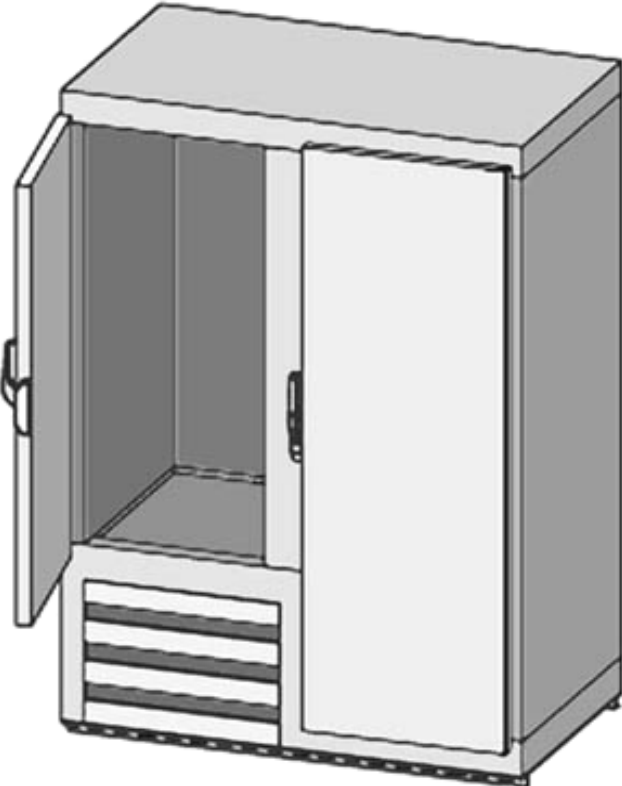


Figure 6 – NAV-40-HT-B Refrigeration Unit

## MODEL SPECIFICATIONS

<b>NAV-40-HT-B Refrigeration Unit</b>	
INTERIOR VOLUME (CU.FT)	<b>40</b>
WIDTH	<b>51"</b>
HEIGHT	<b>72"</b>
DEPTH	<b>29"</b>
BODY DEPTH W/DOORS	<b>31"</b>
NUMBER OF SHELVES	<b>7</b>
NUMBER OF DOORS	<b>2</b>
ASSEMBLED WEIGHT (LBS)	<b>625</b>
CRATED WEIGHT (LBS)	<b>740</b>
REFRIGERANT	<b>R134A</b>
BTU / HOUR	<b>6000</b>
VOLTAGE	<b>115</b>
AMPERE	<b>9</b>
PHASE	<b>1</b>
COMPRESSOR	<b>1/2 HP</b>
SERVICE DISCONNECT	<b>YES</b>

NAV-40-HT-B Specifications

# Model NAV-50-HT-B REFRIGERATION UNIT

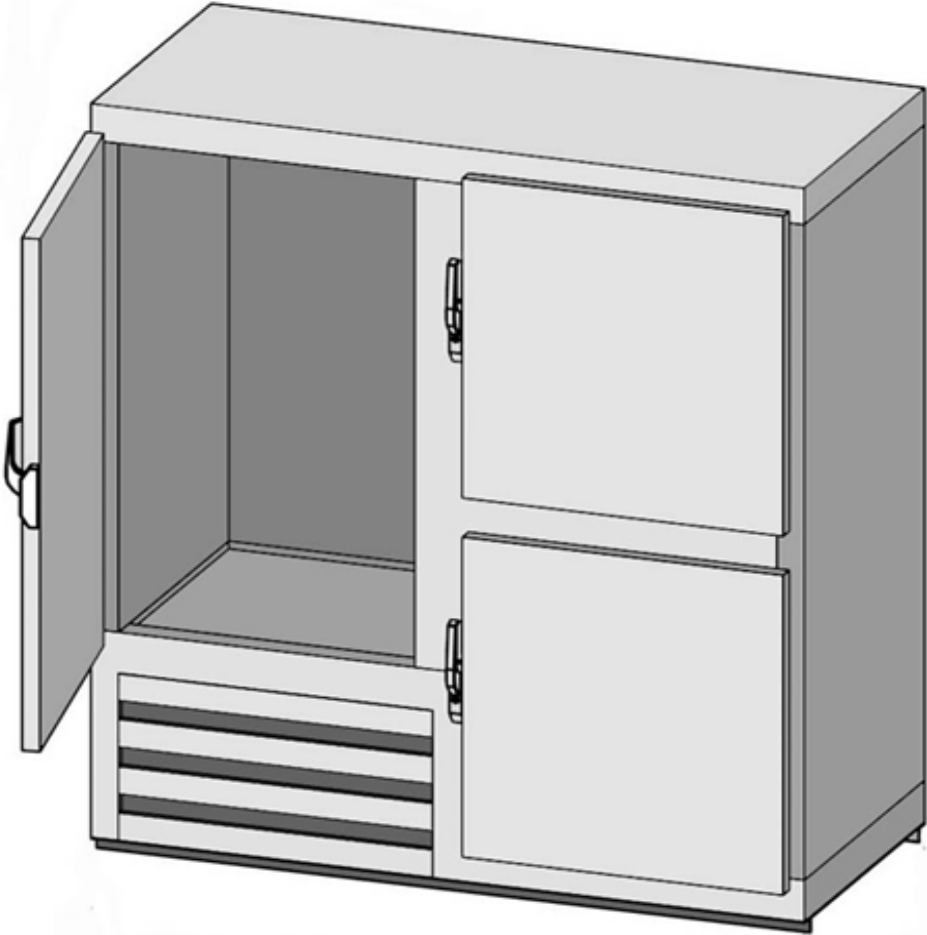


Figure 7 – NAV-50-HT-B Refrigeration Unit

## MODEL SPECIFICATIONS

<b>NAV-50-HT-B Refrigeration Unit</b>	
INTERIOR VOLUME (CU.FT)	<b>50</b>
WIDTH	<b>65"</b>
HEIGHT	<b>72"</b>
DEPTH	<b>29"</b>
BODY DEPTH W/DOORS	<b>31"</b>
NUMBER OF SHELVES	<b>7</b>
NUMBER OF DOORS	<b>3</b>
ASSEMBLED WEIGHT (LBS)	<b>700</b>
CRATED WEIGHT (LBS)	<b>840</b>
REFRIGERANT	<b>R134A</b>
BTU / HOUR	<b>6000</b>
VOLTAGE	<b>115</b>
AMPERE	<b>9</b>
PHASE	<b>1</b>
COMPRESSOR	<b>1/2 HP</b>
SERVICE DISCONNECT	<b>YES</b>

NAV-50-HT-B Specifications

# Model NAV-65-HT-B REFRIGERATION UNIT

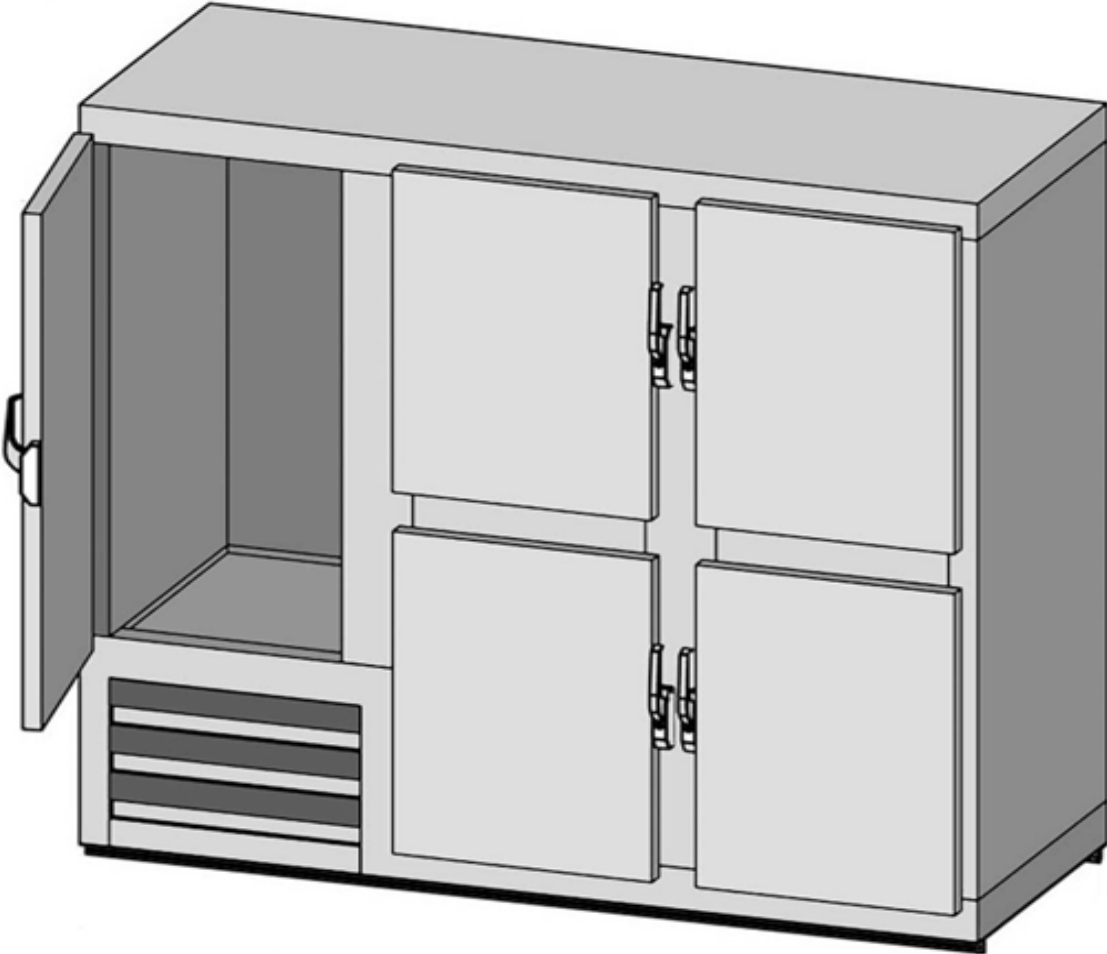


Figure 8 – NAV-65-HT-B Refrigeration Unit

## MODEL SPECIFICATIONS

<b>NAV-65-HT-B Refrigeration Unit</b>	
INTERIOR VOLUME (CU.FT)	<b>65</b>
WIDTH	<b>76"</b>
HEIGHT	<b>72"</b>
DEPTH	<b>29"</b>
BODY DEPTH W/DOORS	<b>31"</b>
NUMBER OF SHELVES	<b>11</b>
NUMBER OF DOORS	<b>5</b>
ASSEMBLED WEIGHT (LBS)	<b>780</b>
CRATED WEIGHT (LBS)	<b>920</b>
REFRIGERANT	<b>R134A</b>
BTU / HOUR	<b>7500</b>
VOLTAGE	<b>115</b>
AMPERE	<b>10</b>
PHASE	<b>1</b>
COMPRESSOR	<b>3/4 HP</b>
SERVICE DISCONNECT	<b>YES</b>

NAV-65-HT-B Specifications



# Model NAV-75-HT-B REFRIGERATION UNIT

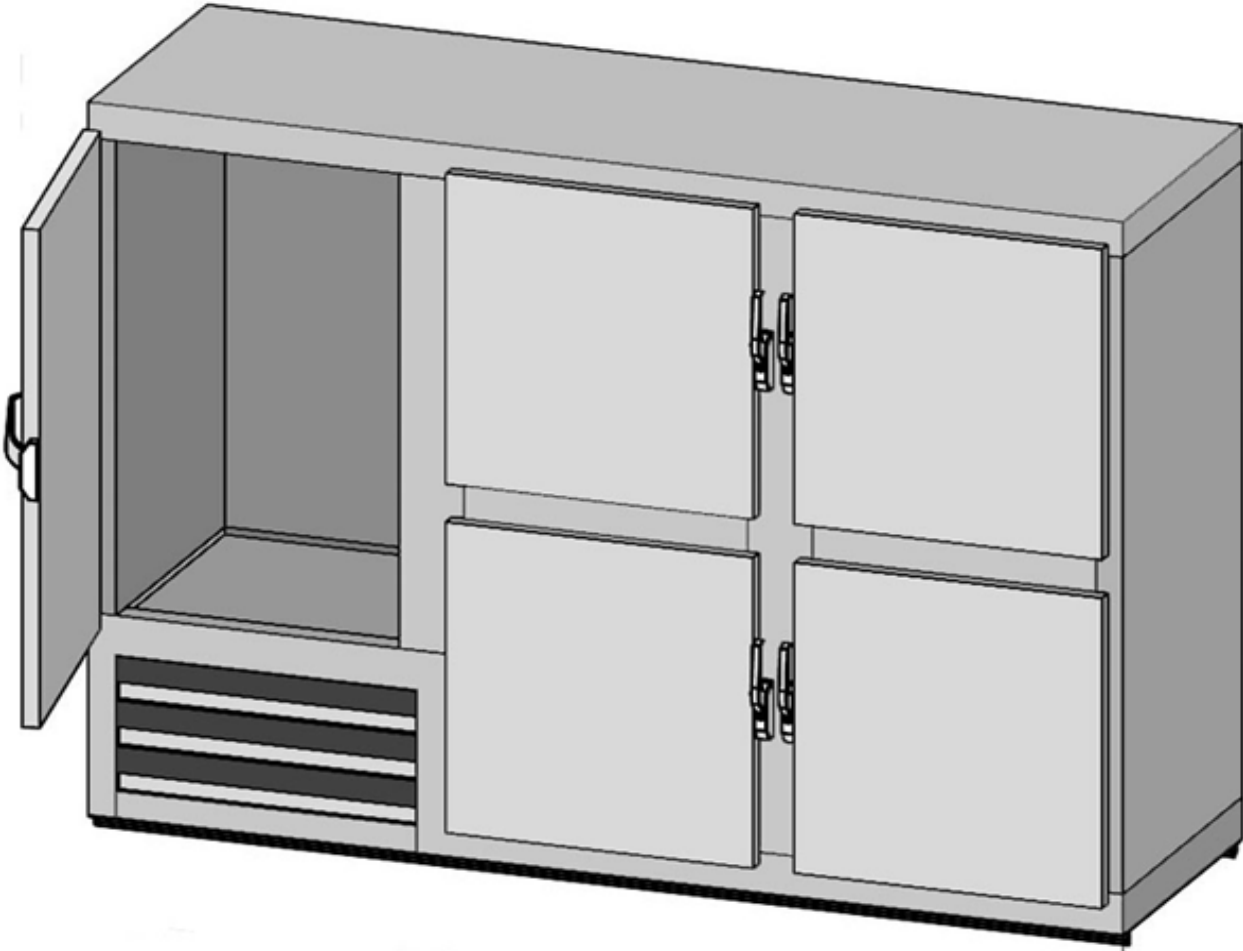


Figure 9 – NAV-75-HT-B Refrigeration Unit

## MODEL SPECIFICATIONS

<b>NAV-75-HT-B Refrigeration Unit</b>	
INTERIOR VOLUME (CU.FT)	<b>75</b>
WIDTH	<b>95"</b>
HEIGHT	<b>72"</b>
DEPTH	<b>29"</b>
BODY DEPTH W/DOORS	<b>31"</b>
NUMBER OF SHELVES	<b>11</b>
NUMBER OF DOORS	<b>5</b>
ASSEMBLED WEIGHT (LBS)	<b>880</b>
CRATED WEIGHT (LBS)	<b>1020</b>
REFRIGERANT	<b>R134A</b>
BTU / HOUR	<b>9000</b>
VOLTAGE	<b>115</b>
AMPERE	<b>11</b>
PHASE	<b>1</b>
COMPRESSOR	<b>3/4 HP</b>
SERVICE DISCONNECT	<b>YES</b>

NAV-75-HT-B Specifications

## CHAPTER 2

# MARINE FREEZERS



## MARINE FREEZER FEATURES AND DESCRIPTION

### Optional Equipment

- *Modular Design*
- *Aluminum Construction*
- *Digital Thermometer*
- *Spring Assist Hinges*

### Construction

- *Heavy gauge stainless steel #304 interior and exterior*
- *Formed in place, CFC Free Urethane insulation, highest R-value*
- *Stainless steel spill proof shelves*
- *2" exterior reading dial thermometer*
- *Extra heavy duty chrome plated hinges*
- *Positive keyed locking handle provides best seal*
- *Interior lighting activated by door switch*
- *Vinyl extruded replacement gaskets*
- *Heavy base frame*

### Heavy Duty Refrigeration System

- *Ozone safe R-404A refrigerant*
- *Wrapped refrigeration system*
- *Sealed, condensing unit, air or water cooled with pull out design*
- *Preset temperature controls*
- *Thermostatic expansion valve*

# Model NAV-5-LT-B FREEZER UNIT

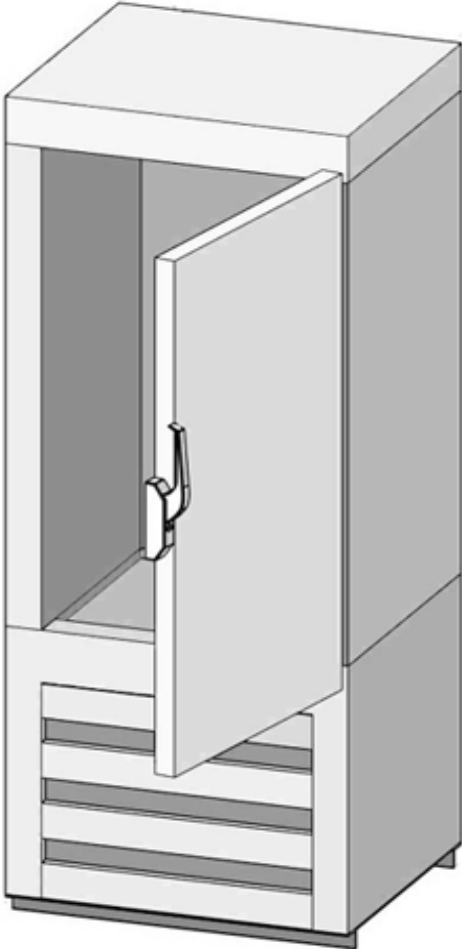


Figure 10 – NAV-5-LT-B Freezer Unit

## MODEL SPECIFICATIONS

<b>NAV-5-LT-B Freezer Unit</b>	
INTERIOR VOLUME (CU.FT)	<b>7.5</b>
WIDTH	<b>24"</b>
HEIGHT	<b>61"</b>
DEPTH	<b>21"</b>
BODY DEPTH W/DOORS	<b>23"</b>
NUMBER OF SHELVES	<b>2</b>
NUMBER OF DOORS	<b>1</b>
ASSEMBLED WEIGHT (LBS)	<b>380</b>
CRATED WEIGHT (LBS)	<b>415</b>
REFRIGERANT	<b>R404A</b>
BTU / HOUR	<b>2800</b>
VOLTAGE	<b>115</b>
AMPERE	<b>6</b>
PHASE	<b>1</b>
COMPRESSOR	<b>1/3 HP</b>
SERVICE DISCONNECT	<b>YES</b>

NAV-5-LT-B Specifications

## Model NAV-10-LT-B FREEZER UNIT

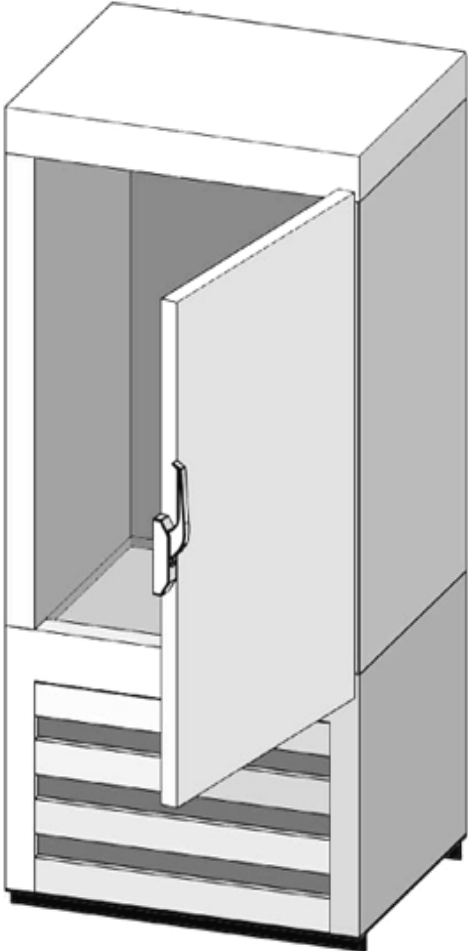


Figure 11 – NAV-10-LT-B Freezer Unit

## MODEL SPECIFICATIONS

<b>NAV-10-LT-B Freezer Unit</b>	
INTERIOR VOLUME (CU.FT)	<b>10</b>
WIDTH	<b>30"</b>
HEIGHT	<b>61"</b>
DEPTH	<b>24"</b>
BODY DEPTH W/DOORS	<b>26"</b>
NUMBER OF SHELVES	<b>2</b>
NUMBER OF DOORS	<b>1</b>
ASSEMBLED WEIGHT (LBS)	<b>395</b>
CRATED WEIGHT (LBS)	<b>450</b>
REFRIGERANT	<b>R404A</b>
BTU / HOUR	<b>3200</b>
VOLTAGE	<b>115</b>
AMPERE	<b>8</b>
PHASE	<b>1</b>
COMPRESSOR	<b>1/3 HP</b>
SERVICE DISCONNECT	<b>YES</b>

NAV-10-LT-B Specifications



# Model NAV-15-LT-B FREEZER UNIT

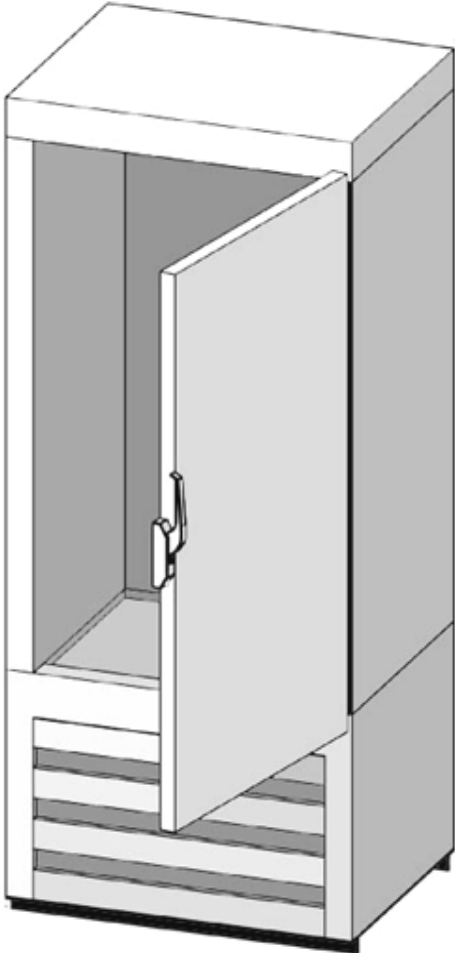


Figure 12 – NAV-15-LT-B Freezer Unit

## MODEL SPECIFICATIONS

<b>NAV-15-LT-B Freezer Unit</b>	
INTERIOR VOLUME (CU.FT)	<b>15</b>
WIDTH	<b>32"</b>
HEIGHT	<b>72"</b>
DEPTH	<b>25"</b>
BODY DEPTH W/DOORS	<b>27"</b>
NUMBER OF SHELVES	<b>4</b>
NUMBER OF DOORS	<b>1</b>
ASSEMBLED WEIGHT (LBS)	<b>485</b>
CRATED WEIGHT (LBS)	<b>515</b>
REFRIGERANT	<b>R404A</b>
BTU / HOUR	<b>3200</b>
VOLTAGE	<b>115</b>
AMPERE	<b>9</b>
PHASE	<b>1</b>
COMPRESSOR	<b>1/2 HP</b>
SERVICE DISCONNECT	<b>YES</b>

NAV-15-LT-B Specifications

## Model NAV-20-LT-B FREEZER UNIT

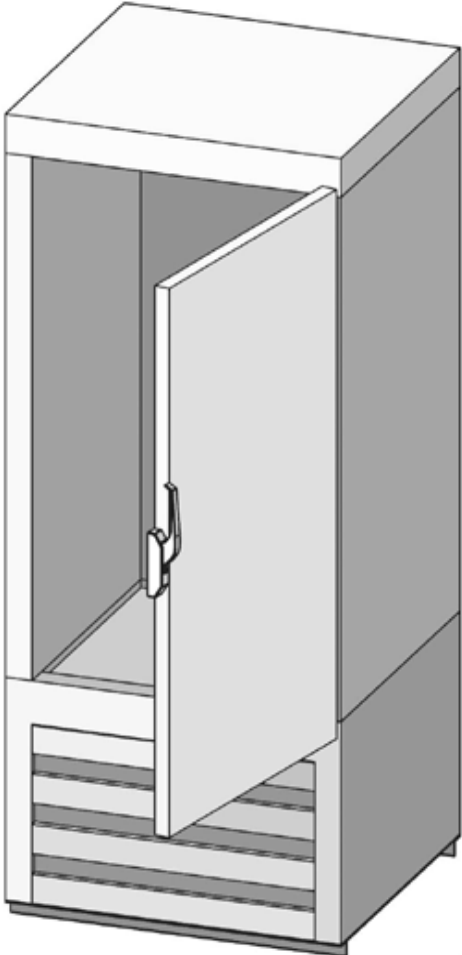


Figure 13 – NAV-20-LT-B Freezer Unit

## MODEL SPECIFICATIONS

<b>NAV-20-LT-B Freezer Unit</b>	
INTERIOR VOLUME (CU.FT)	<b>20</b>
WIDTH	<b>32"</b>
HEIGHT	<b>72"</b>
DEPTH	<b>30"</b>
BODY DEPTH W/DOORS	<b>32"</b>
NUMBER OF SHELVES	<b>4</b>
NUMBER OF DOORS	<b>1</b>
ASSEMBLED WEIGHT (LBS)	<b>510</b>
CRATED WEIGHT (LBS)	<b>640</b>
REFRIGERANT	<b>R404A</b>
BTU / HOUR	<b>5200</b>
VOLTAGE	<b>115</b>
AMPERE	<b>9</b>
PHASE	<b>1</b>
COMPRESSOR	<b>1/2 HP</b>
SERVICE DISCONNECT	<b>YES</b>

NAV-20-LT-B Specifications

## Model NAV-30-LT-B FREEZER UNIT

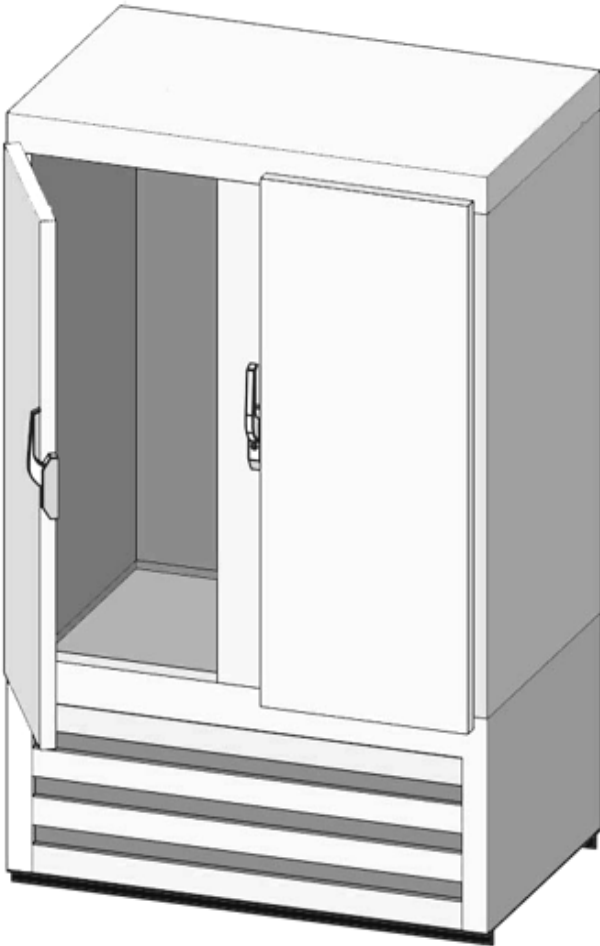


Figure 14 – NAV-30-LT-B Freezer Unit

## MODEL SPECIFICATIONS

<b>NAV-30-LT-B Freezer Unit</b>	
INTERIOR VOLUME (CU.FT)	<b>30</b>
WIDTH	<b>48"</b>
HEIGHT	<b>72"</b>
DEPTH	<b>30"</b>
BODY DEPTH W/DOORS	<b>32"</b>
NUMBER OF SHELVES	<b>6</b>
NUMBER OF DOORS	<b>2</b>
ASSEMBLED WEIGHT (LBS)	<b>525</b>
CRATED WEIGHT (LBS)	<b>650</b>
REFRIGERANT	<b>R404A</b>
BTU / HOUR	<b>5800</b>
VOLTAGE	<b>115</b>
AMPERE	<b>11</b>
PHASE	<b>1</b>
COMPRESSOR	<b>3/4 HP</b>
SERVICE DISCONNECT	<b>YES</b>

NAV-30-LT-B Specifications

# Model NAV-40-LT-B FREEZER UNIT

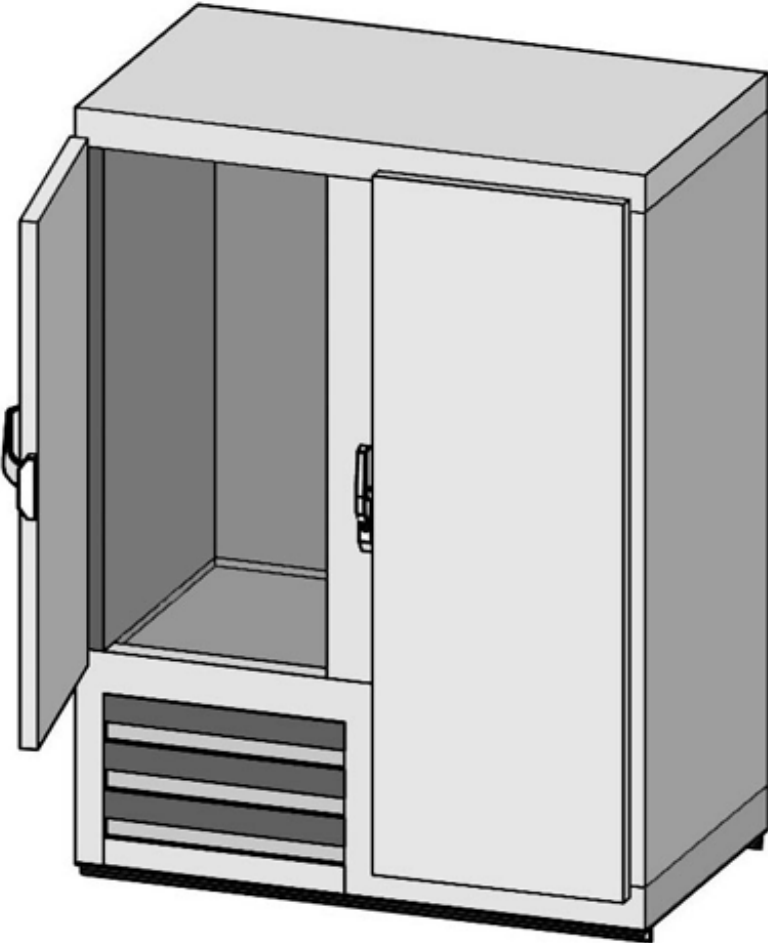


Figure 15 – NAV-40-LT-B Freezer Unit

### MODEL SPECIFICATIONS

<b>NAV-40-LT-B Freezer Unit</b>	
INTERIOR VOLUME (CU.FT)	<b>40</b>
WIDTH	<b>51"</b>
HEIGHT	<b>72"</b>
DEPTH	<b>29"</b>
BODY DEPTH W/DOORS	<b>31"</b>
NUMBER OF SHELVES	<b>7</b>
NUMBER OF DOORS	<b>2</b>
ASSEMBLED WEIGHT (LBS)	<b>580</b>
CRATED WEIGHT (LBS)	<b>700</b>
REFRIGERANT	<b>R404A</b>
BTU / HOUR	<b>7500</b>
VOLTAGE	<b>115</b>
AMPERE	<b>10</b>
PHASE	<b>1</b>
COMPRESSOR	<b>1/2 HP</b>
SERVICE DISCONNECT	<b>YES</b>

NAV-40-LT-B Specifications



## Model NAV-50-LT-B FREEZER UNIT

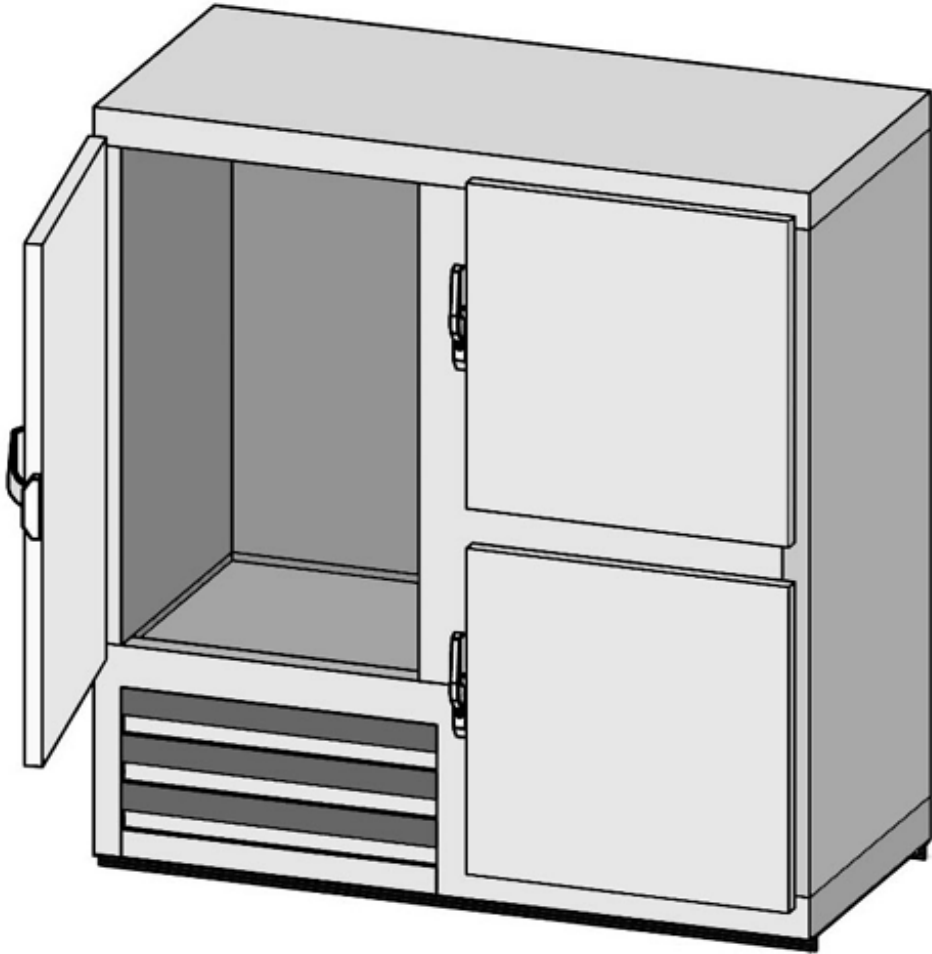


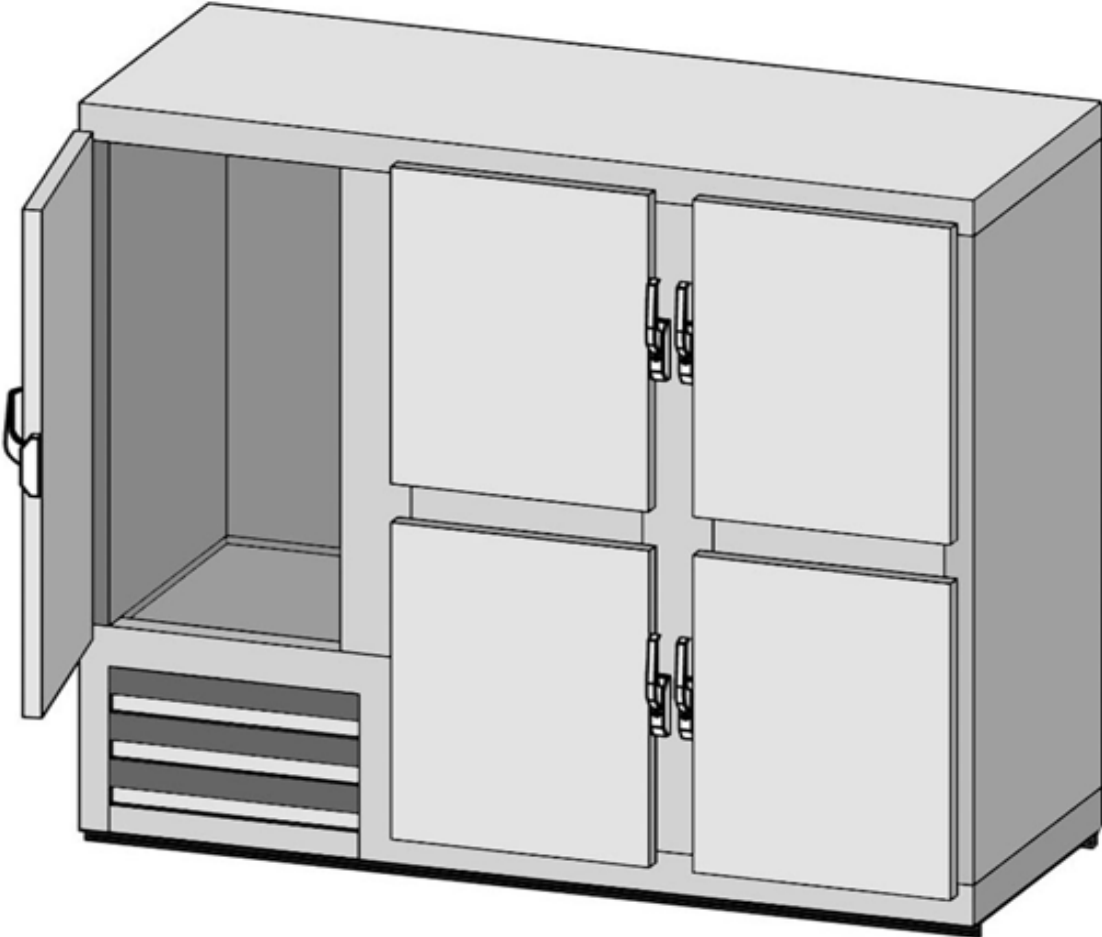
Figure 16 – NAV-50-LT-B Freezer Unit

## MODEL SPECIFICATIONS

<b>NAV-50-LT-B Freezer Unit</b>	
INTERIOR VOLUME (CU.FT)	<b>50</b>
WIDTH	<b>65"</b>
HEIGHT	<b>72"</b>
DEPTH	<b>29"</b>
BODY DEPTH W/DOORS	<b>31"</b>
NUMBER OF SHELVES	<b>7</b>
NUMBER OF DOORS	<b>3</b>
ASSEMBLED WEIGHT (LBS)	<b>640</b>
CRATED WEIGHT (LBS)	<b>750</b>
REFRIGERANT	<b>R404A</b>
BTU / HOUR	<b>6500</b>
VOLTAGE	<b>115</b>
AMPERE	<b>11</b>
PHASE	<b>1</b>
COMPRESSOR	<b>3/4 HP</b>
SERVICE DISCONNECT	<b>YES</b>

NAV-50-LT-B Specifications

# Model NAV-65-LT-B FREEZER UNIT



NAV-65-LT-B Freezer Unit

## MODEL SPECIFICATIONS

<b>NAV-65-LT-B Freezer Unit</b>	
INTERIOR VOLUME (CU.FT)	<b>65</b>
WIDTH	<b>76"</b>
HEIGHT	<b>72"</b>
DEPTH	<b>29"</b>
BODY DEPTH W/DOORS	<b>31"</b>
NUMBER OF SHELVES	<b>11</b>
NUMBER OF DOORS	<b>5</b>
ASSEMBLED WEIGHT (LBS)	<b>685</b>
CRATED WEIGHT (LBS)	<b>805</b>
REFRIGERANT	<b>R404A</b>
BTU / HOUR	<b>7500</b>
VOLTAGE	<b>115</b>
AMPERE	<b>11</b>
PHASE	<b>1</b>
COMPRESSOR	<b>3/4 HP</b>
SERVICE DISCONNECT	<b>YES</b>

NAV-65-LT-B Specifications

# Model NAV-75-LT-B FREEZER UNIT

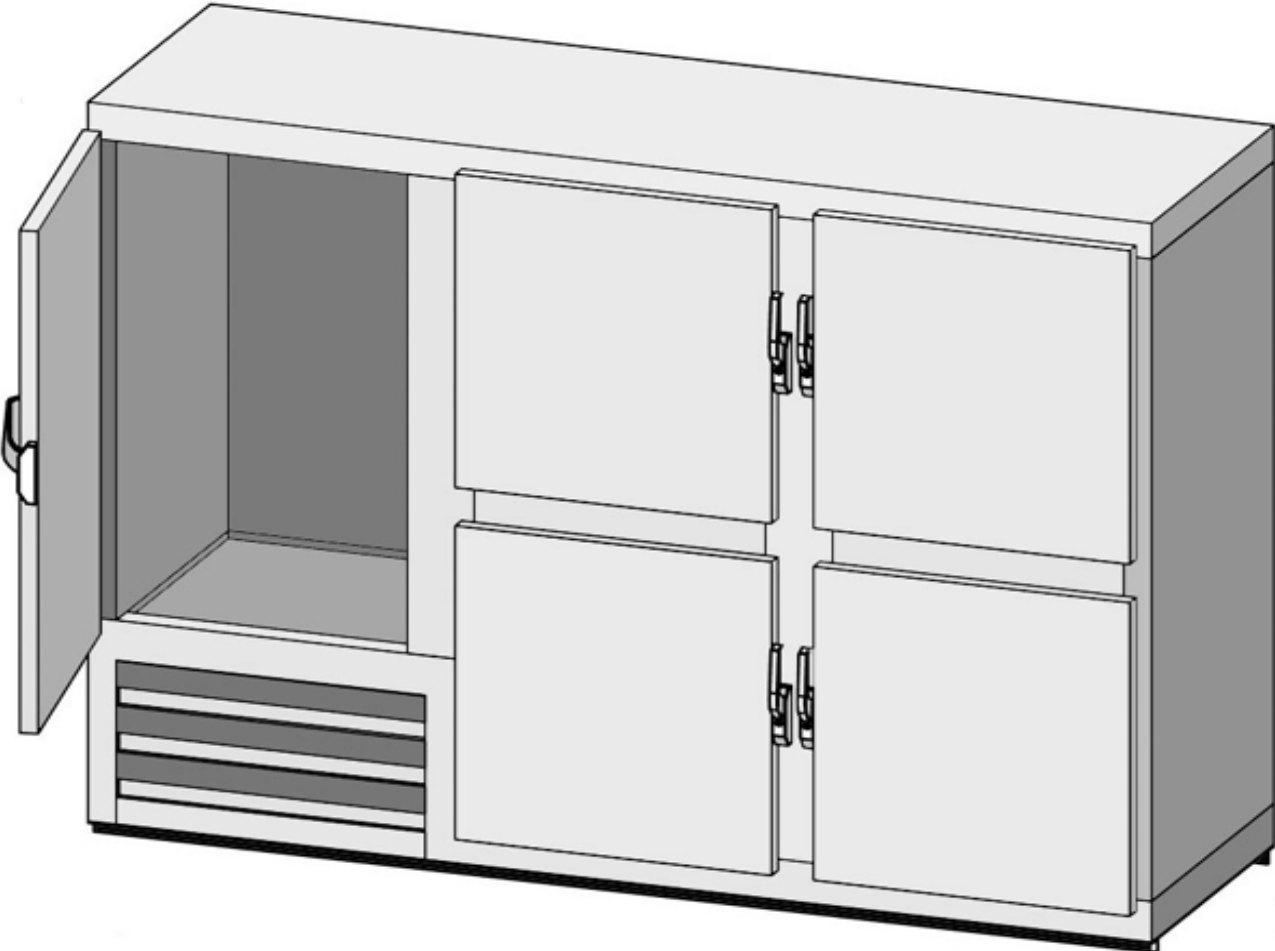


Figure 18 – NAV-75-LT-B Freezer Unit

## MODEL SPECIFICATIONS

<b>NAV-75-LT-B Freezer Unit</b>	
INTERIOR VOLUME (CU.FT)	<b>75</b>
WIDTH	<b>95"</b>
HEIGHT	<b>72"</b>
DEPTH	<b>29"</b>
BODY DEPTH W/DOORS	<b>31"</b>
NUMBER OF SHELVES	<b>11</b>
NUMBER OF DOORS	<b>5</b>
ASSEMBLED WEIGHT (LBS)	<b>780</b>
CRATED WEIGHT (LBS)	<b>920</b>
REFRIGERANT	<b>R404A</b>
BTU / HOUR	<b>11000</b>
VOLTAGE	<b>115</b>
AMPERE	<b>13</b>
PHASE	<b>1</b>
COMPRESSOR	<b>3/4 HP</b>
SERVICE DISCONNECT	<b>YES</b>

NAV-75-LT-B Specifications

## CHAPTER 3

# MARINE REFRIGERATORS/FREEZERS



## MARINE REFRIGERATORS/FREEZERS

### Optional Equipment

- *Modular Design*
- *Aluminum Construction*
- *Digital Thermometer*
- *Spring Assist Hinges*

### Construction

- *Heavy gauge stainless steel #304 interior and exterior*
- *Formed in place, CFC free urethane insulation, highest R-value*
- *Stainless steel spill proof shelves*
- *2" exterior reading dial thermometer*
- *Extra heavy duty chrome plated hinges*
- *Positive keyed locking handle provides best seal.*
- *Interior lighting in refrigerator compartment only*
- *Vinyl extruded replacement gaskets*
- *Heavy base frame*

### Heavy Duty Refrigeration System

- *Ozone safe R-134A and R-404A refrigerator*
- *Wrapped refrigeration system*
- *Sealed, condensing unit, air or water cooled with pull out design*
- *Preset temperature controls thermostatic expansion valve*



## **Model NAV-3-6-HLT-B REFRIGERATOR/FREEZER UNIT**

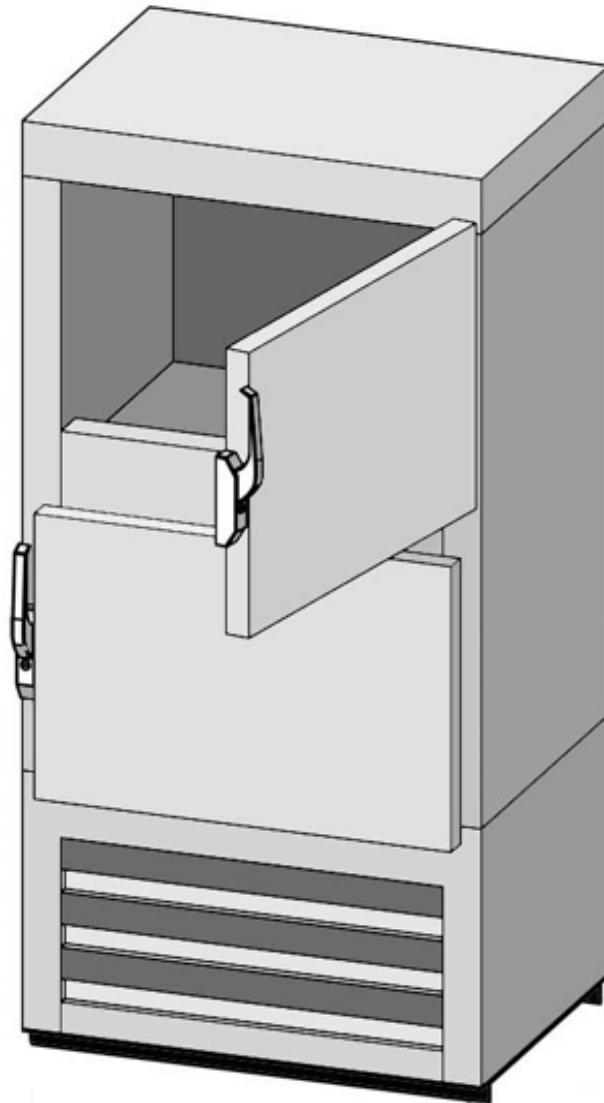


Figure 19 – NAV-3-6-T-B Refrigerator/Freezer Unit

### MODEL SPECIFICATIONS

<b>NAV-3-6-HLT-B Refrigerator/Freezer Unit</b>	<b>REF</b>	<b>FRE</b>
INTERIOR VOLUME (CU.FT)	<b>6</b>	<b>3</b>
WIDTH	<b>30"</b>	<b>-</b>
HEIGHT	<b>60"</b>	<b>-</b>
DEPTH	<b>22"</b>	<b>-</b>
BODY DEPTH W/DOORS	<b>24"</b>	<b>24"</b>
NUMBER OF SHELVES	<b>2</b>	<b>1</b>
NUMBER OF DOORS	<b>1</b>	<b>1</b>
ASSEMBLED WEIGHT (LBS)	<b>450</b>	<b>-</b>
CRATED WEIGHT (LBS)	<b>570</b>	<b>-</b>
REFRIGERANT	<b>R134A</b>	<b>R404A</b>
BTU / HOUR	<b>3000</b>	<b>4200</b>
VOLTAGE	<b>115</b>	<b>115</b>
AMPERE	<b>6</b>	<b>7</b>
PHASE	<b>1</b>	<b>1</b>
COMPRESSOR	<b>1/4 HP</b>	<b>1/3 HP</b>
SERVICE DISCONNECT	<b>YES</b>	<b>YES</b>

NAV-3-6-HLT-B Specifications

## **Model NAV-6-14-HLT-B REFRIGERATOR/FREEZER UNIT**

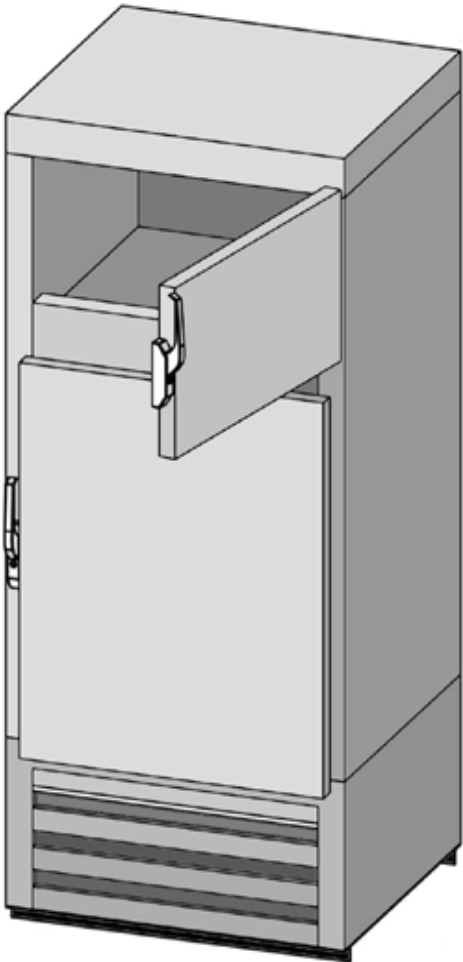


Figure 20 – NAV-6-14-HLT-B Refrigerator/Freezer Unit

### MODEL SPECIFICATIONS

<b>NAV-6-14-HLT-B Refrigerator/Freezer Unit</b>	<b>REF</b>	<b>FRE</b>
INTERIOR VOLUME (CU.FT)	<b>14</b>	<b>6</b>
WIDTH	<b>32"</b>	<b>-</b>
HEIGHT	<b>72"</b>	<b>-</b>
DEPTH	<b>29"</b>	<b>-</b>
BODY DEPTH W/DOORS	<b>31"</b>	<b>-</b>
NUMBER OF SHELVES	<b>4</b>	<b>4</b>
NUMBER OF DOORS	<b>1</b>	<b>1</b>
ASSEMBLED WEIGHT (LBS)	<b>575</b>	<b>-</b>
CRATED WEIGHT (LBS)	<b>695</b>	<b>-</b>
REFRIGERANT	<b>R134A</b>	<b>R404A</b>
BTU / HOUR	<b>2500</b>	<b>3000</b>
VOLTAGE	<b>115</b>	<b>115</b>
AMPERE	<b>6</b>	<b>8</b>
PHASE	<b>1</b>	<b>1</b>
COMPRESSOR	<b>1/4 HP</b>	<b>1/3 HP</b>
SERVICE DISCONNECT	<b>YES</b>	<b>YES</b>

NAV-6-14-HLT-B Specifications

## **Model NAV-10-10-HLT-B REFRIGERATOR/FREEZER UNIT**

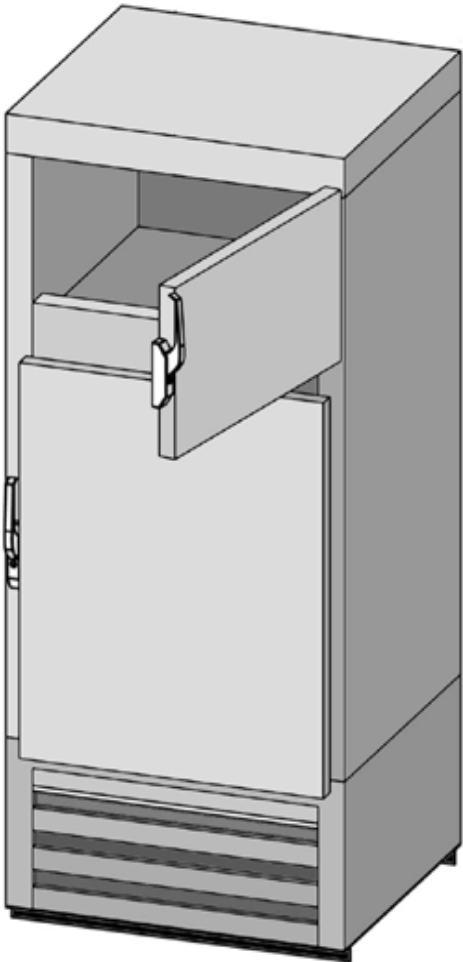


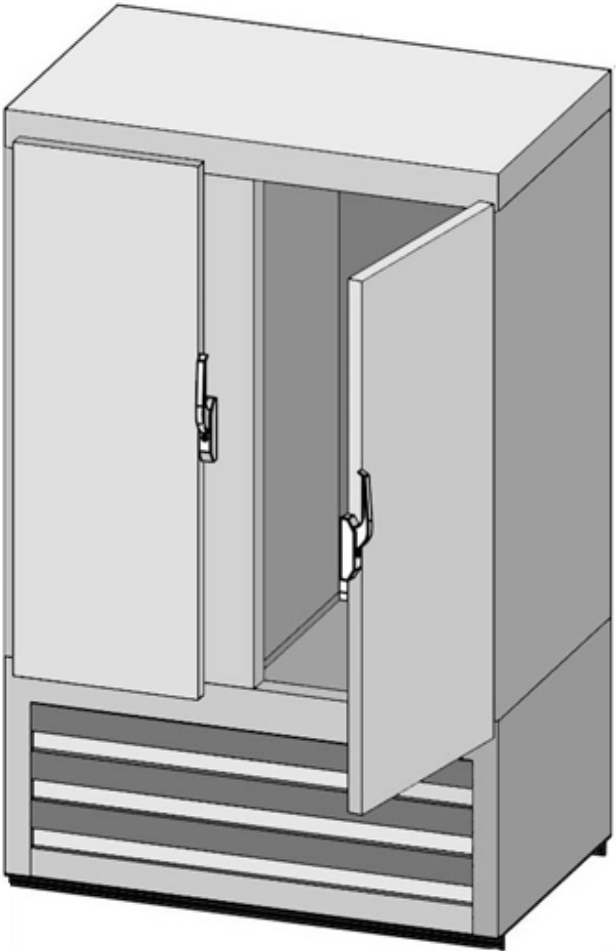
Figure 21 – NAV-10-10-HLT-B Refrigerator/Freezer Unit

### MODEL SPECIFICATIONS

<b>NAV-10-10-HLT-B Refrigerator/Freezer Unit</b>	<b>REF</b>	<b>FRE</b>
INTERIOR VOLUME (CU.FT)	<b>10</b>	<b>10</b>
WIDTH	<b>32"</b>	<b>32"</b>
HEIGHT	<b>72"</b>	<b>72"</b>
DEPTH	<b>29"</b>	<b>29"</b>
BODY DEPTH W/DOORS	<b>31"</b>	<b>31"</b>
NUMBER OF SHELVES	<b>2</b>	<b>1</b>
NUMBER OF DOORS	<b>1</b>	<b>1</b>
ASSEMBLED WEIGHT (LBS)	<b>610</b>	<b>-</b>
CRATED WEIGHT (LBS)	<b>740</b>	<b>-</b>
REFRIGERANT	<b>R134A</b>	<b>R404A</b>
BTU / HOUR	<b>2800</b>	<b>3500</b>
VOLTAGE	<b>115</b>	<b>115</b>
AMPERE	<b>7</b>	<b>8</b>
PHASE	<b>1</b>	<b>1</b>
COMPRESSOR	<b>1/4 HP</b>	<b>1/3 HP</b>
SERVICE DISCONNECT	<b>YES</b>	<b>YES</b>

NAV-10-10-HLT-B Specifications

## **Model NAV-13-17-HLT-B REFRIGERATOR/FREEZER UNIT**



NAV-13-17-HLT-B Refrigerator/Freezer Unit

### MODEL SPECIFICATIONS

<b>NAV-13-17-HLT-B Refrigerator/Freezer Unit</b>	<b>REF</b>	<b>FRE</b>
INTERIOR VOLUME (CU.FT)	<b>17</b>	<b>13</b>
WIDTH	-	<b>48"</b>
HEIGHT	-	<b>72"</b>
DEPTH	-	<b>29"</b>
BODY DEPTH W/DOORS	-	<b>31"</b>
NUMBER OF SHELVES	<b>3</b>	<b>3</b>
NUMBER OF DOORS	<b>1</b>	<b>1</b>
ASSEMBLED WEIGHT (LBS)	-	<b>675</b>
CRATED WEIGHT (LBS)	-	<b>795</b>
REFRIGERANT	<b>R134A</b>	<b>R404A</b>
BTU / HOUR	<b>6000</b>	<b>4500</b>
VOLTAGE	<b>115</b>	<b>115</b>
AMPERE	<b>8</b>	<b>7</b>
PHASE	<b>1</b>	<b>1</b>
COMPRESSOR	<b>1/2 HP</b>	<b>1/3 HP</b>
SERVICE DISCONNECT	<b>YES</b>	<b>YES</b>

NAV-13-17-HLT-B Specifications



## **Model NAV-17-20-HLT-B REFRIGERATOR/FREEZER UNIT**

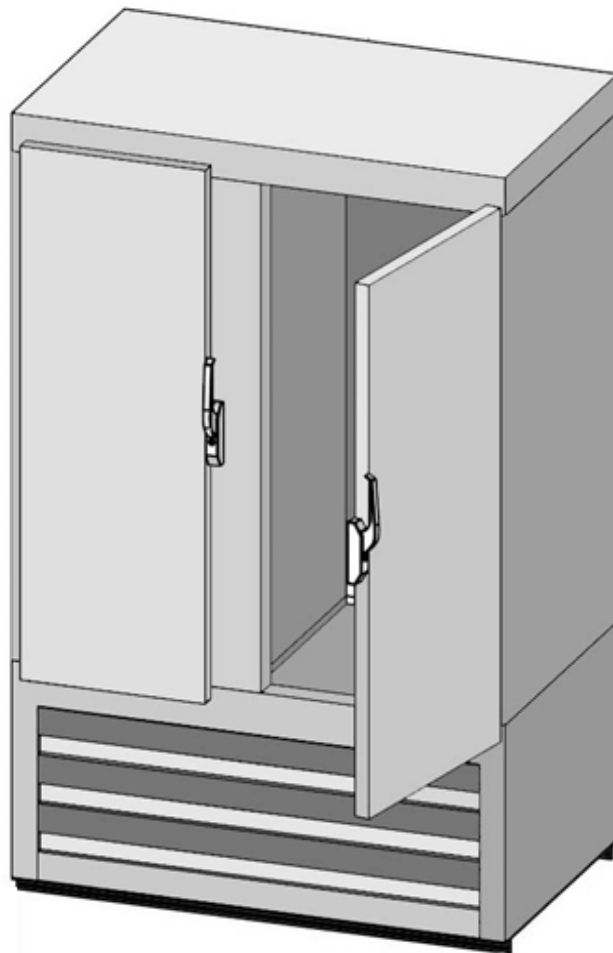


Figure 23 – NAV-17-20-HLT-B Refrigerator/Freezer Unit

### MODEL SPECIFICATIONS

<b>NAV-17-20-HLT-B Refrigerator/Freezer Unit</b>	<b>REF</b>	<b>FRE</b>
INTERIOR VOLUME (CU.FT)	<b>20</b>	<b>17</b>
WIDTH	<b>58"</b>	<b>-</b>
HEIGHT	<b>72"</b>	<b>-</b>
DEPTH	<b>29"</b>	<b>-</b>
BODY DEPTH W/DOORS	<b>31"</b>	<b>-</b>
NUMBER OF SHELVES	<b>4</b>	<b>4</b>
NUMBER OF DOORS	<b>1</b>	<b>1</b>
ASSEMBLED WEIGHT (LBS)	<b>750</b>	<b>-</b>
CRATED WEIGHT (LBS)	<b>870</b>	<b>-</b>
REFRIGERANT	<b>R134A</b>	<b>R404A</b>
BTU / HOUR	<b>7500</b>	<b>5000</b>
VOLTAGE	<b>115</b>	<b>115</b>
AMPERE	<b>8.5</b>	<b>6</b>
PHASE	<b>1</b>	<b>1</b>
COMPRESSOR	<b>3/4 HP</b>	<b>1/2 HP</b>
SERVICE DISCONNECT	<b>YES</b>	<b>YES</b>

NAV-17-20-HLT-B Specifications

## CHAPTER 4

# MARINE COLD FOOD COUNTERS



## MARINE COLD FOOD COUNTERS

### Optional Equipment

- *Modular Design*
- *Upper Display Unit*
- *Aluminum Construction*
- *Digital Thermometer*
- *Spring Assist Hinges*

### Construction

- *Heavy gauge stainless steel #304 interior and exterior*
- *Formed in place, CFC Free Urethane insulation, highest R-value*
- *Stainless steel spill proof shelves*
- *Stainless steel removable louver panel*
- *2" exterior reading dial thermometer*
- *Extra heavy duty chrome plated hinges*
- *Positive keyed locking handle provides best seal*
- *Interior lighting activated by door opening*
- *Vinyl extruded replacement gaskets*
- *Stainless steel footed leg*

### Heavy Duty Refrigeration System

- *Ozone safe R-134A refrigerant*
- *Wrapped refrigeration system*
- *Sealed, condensing unit, air or water cooled with pull out design*
- *Preset temperature controls*
- *Thermostatic expansion valve*

## **Model NAV-3-HT-BC-2 MARINE COLD FOOD COUNTERS**

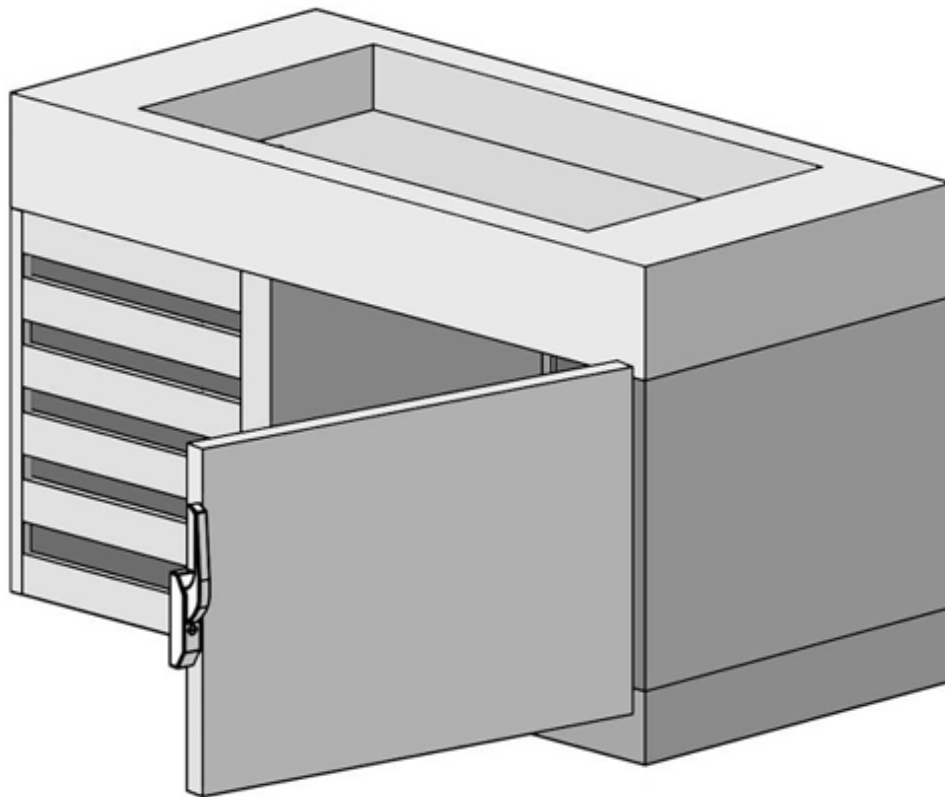


Figure 24 – NAV-3-HT-BC-2 Marine Cold Food Counter Unit

## MODEL SPECIFICATIONS

<b>NAV-3-HT-BC-2 Cold Food Counter Unit</b>	
INTERIOR VOLUME (CU.FT)	<b>7</b>
WIDTH	<b>54"</b>
HEIGHT	<b>31"</b>
DEPTH	<b>26"</b>
BODY DEPTH W/DOORS	<b>28"</b>
NUMBER OF SHELVES	<b>1</b>
NUMBER OF DOORS	<b>1</b>
ASSEMBLED WEIGHT (LBS)	<b>350</b>
CRATED WEIGHT (LBS)	<b>475</b>
REFRIGERANT	<b>R134A</b>
BTU / HOUR	<b>3000</b>
VOLTAGE	<b>115</b>
AMPERE	<b>7</b>
PHASE	<b>1</b>
COMPRESSOR	<b>1/3 HP</b>
SERVICE DISCONNECT	<b>YES</b>

NAV-3-HT-BC-2 Specifications

## **Model NAV-4-HT-BC-2 MARINE COLD FOOD COUNTERS**

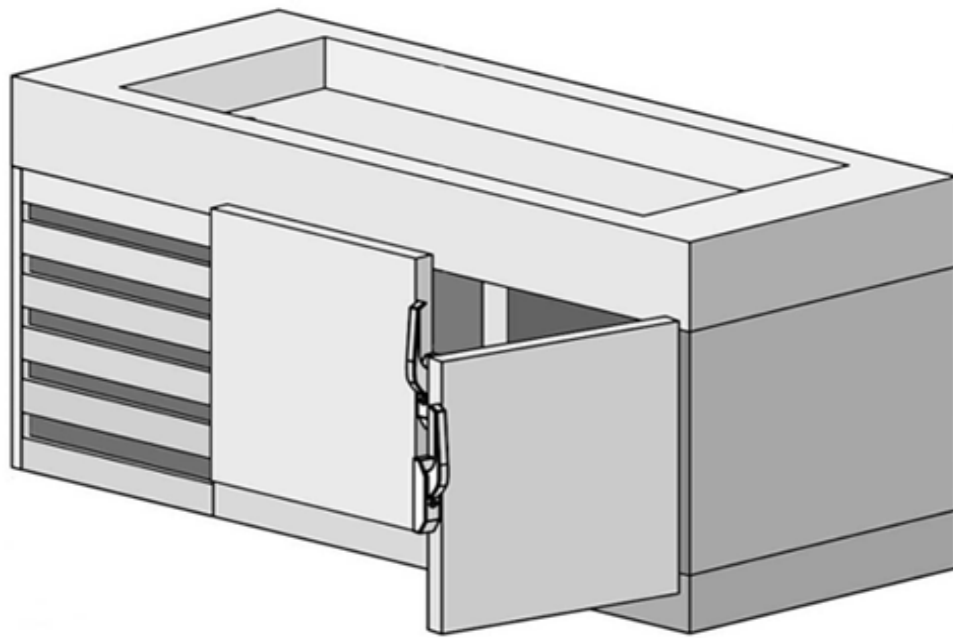


Figure 25 – NAV-4-HT-BC-2 Marine Cold Food Counter Unit

## MODEL SPECIFICATIONS

<b>NAV-4-HT-BC-2 Cold Food Counter Unit</b>	
INTERIOR VOLUME (CU.FT)	<b>10</b>
WIDTH	<b>66"</b>
HEIGHT	<b>31"</b>
DEPTH	<b>26"</b>
BODY DEPTH W/DOORS	<b>28"</b>
NUMBER OF SHELVES	<b>1</b>
NUMBER OF DOORS	<b>2</b>
ASSEMBLED WEIGHT (LBS)	<b>375</b>
CRATED WEIGHT (LBS)	<b>480</b>
REFRIGERANT	<b>R134A</b>
BTU / HOUR	<b>4000</b>
VOLTAGE	<b>115</b>
AMPERE	<b>7</b>
PHASE	<b>1</b>
COMPRESSOR	<b>1/3 HP</b>
SERVICE DISCONNECT	<b>YES</b>

NAV-4-HT-BC-2 Specifications



## **Model NAV-5-HT-BC-2 MARINE COLD FOOD COUNTERS**

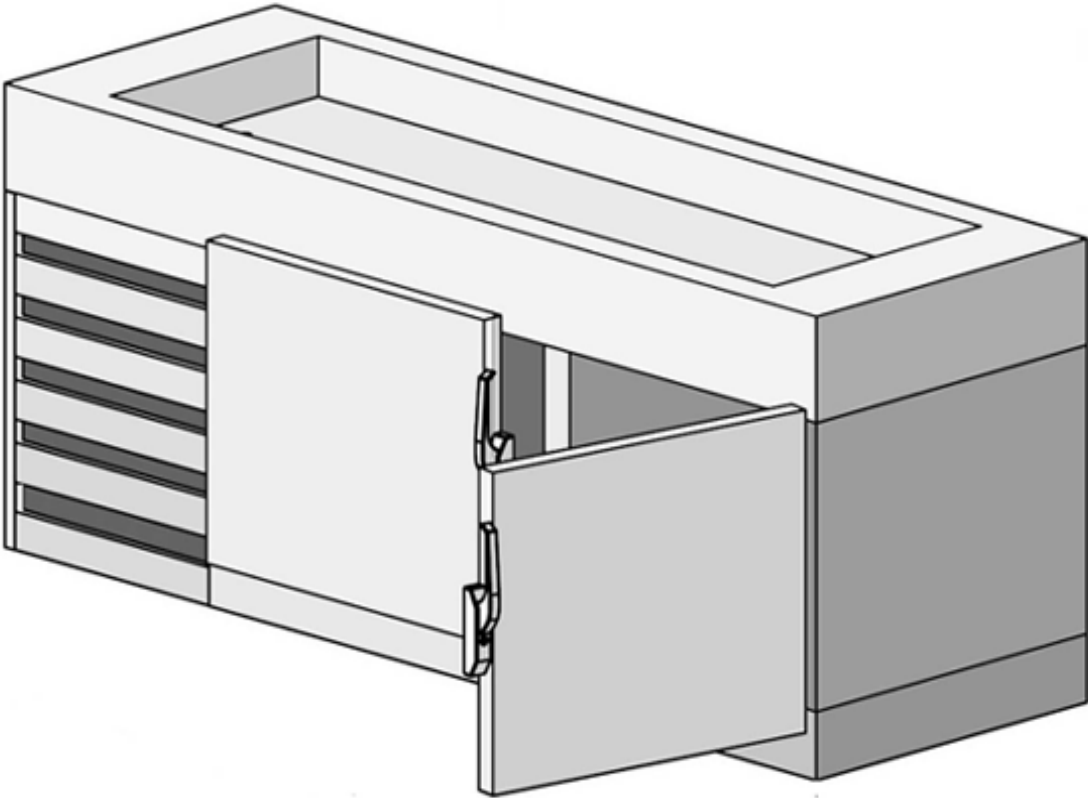


Figure 26 – NAV-5-HT-BC-2 Marine Cold Food Counter Unit

## MODEL SPECIFICATIONS

<b>NAV-5-HT-BC-2 Cold Food Counter Unit</b>	
INTERIOR VOLUME (CU.FT)	<b>15</b>
WIDTH	<b>78"</b>
HEIGHT	<b>31"</b>
DEPTH	<b>26"</b>
BODY DEPTH W/DOORS	<b>28"</b>
NUMBER OF SHELVES	<b>2</b>
NUMBER OF DOORS	<b>2</b>
ASSEMBLED WEIGHT (LBS)	<b>475</b>
CRATED WEIGHT (LBS)	<b>610</b>
REFRIGERANT	<b>R134A</b>
BTU / HOUR	<b>4000</b>
VOLTAGE	<b>115</b>
AMPERE	<b>8</b>
PHASE	<b>1</b>
COMPRESSOR	<b>1/3 HP</b>
SERVICE DISCONNECT	<b>YES</b>

NAV-5-HT-BC-2 Specifications

## **Model NAV-6-HT-BC-2 MARINE COLD FOOD COUNTERS**

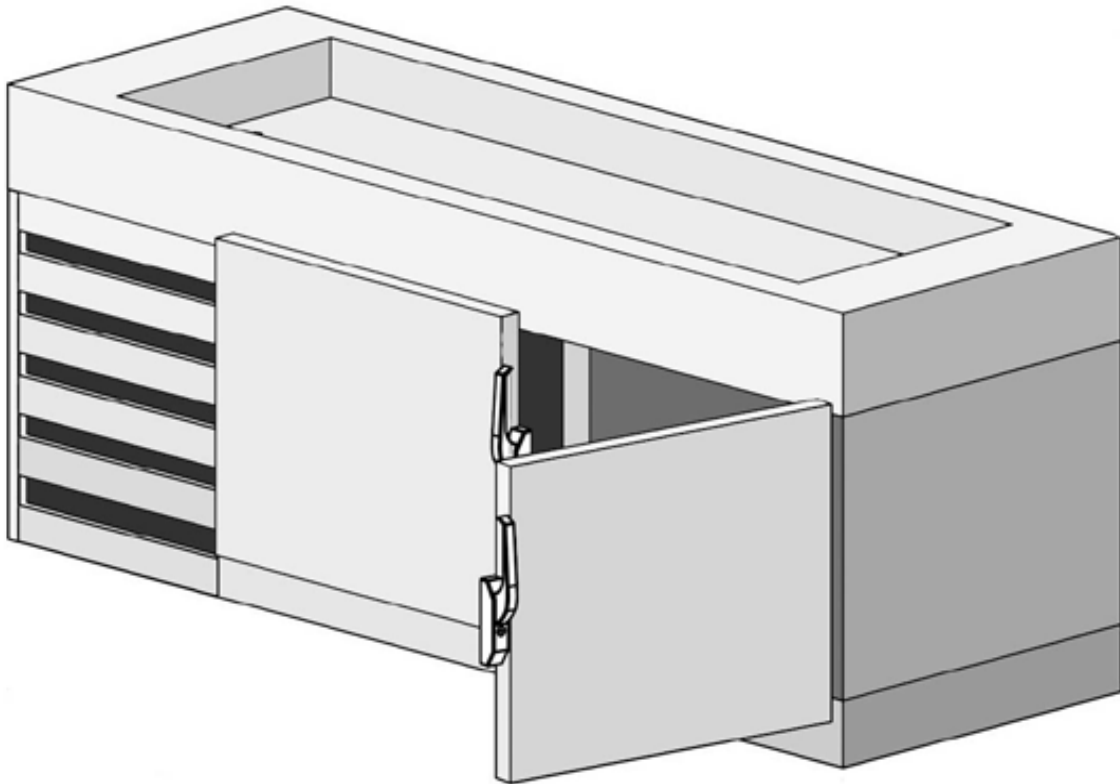


Figure 27 – NAV-6-HT-BC-2 Marine Cold Food Counter Unit

## MODEL SPECIFICATIONS

<b>NAV-6-HT-BC-2 Cold Food Counter Unit</b>	
INTERIOR VOLUME (CU.FT)	<b>16</b>
WIDTH	<b>90"</b>
HEIGHT	<b>31"</b>
DEPTH	<b>26"</b>
BODY DEPTH W/DOORS	<b>28"</b>
NUMBER OF SHELVES	<b>2</b>
NUMBER OF DOORS	<b>2</b>
ASSEMBLED WEIGHT (LBS)	<b>610</b>
CRATED WEIGHT (LBS)	<b>740</b>
REFRIGERANT	<b>R134A</b>
BTU / HOUR	<b>5500</b>
VOLTAGE	<b>115</b>
AMPERE	<b>7</b>
PHASE	<b>1</b>
COMPRESSOR	<b>1/2 HP</b>
SERVICE DISCONNECT	<b>YES</b>

NAV-6-HT-BC-2 Specifications

## **Model NAV-8-HT-BC-2 MARINE COLD FOOD COUNTERS**

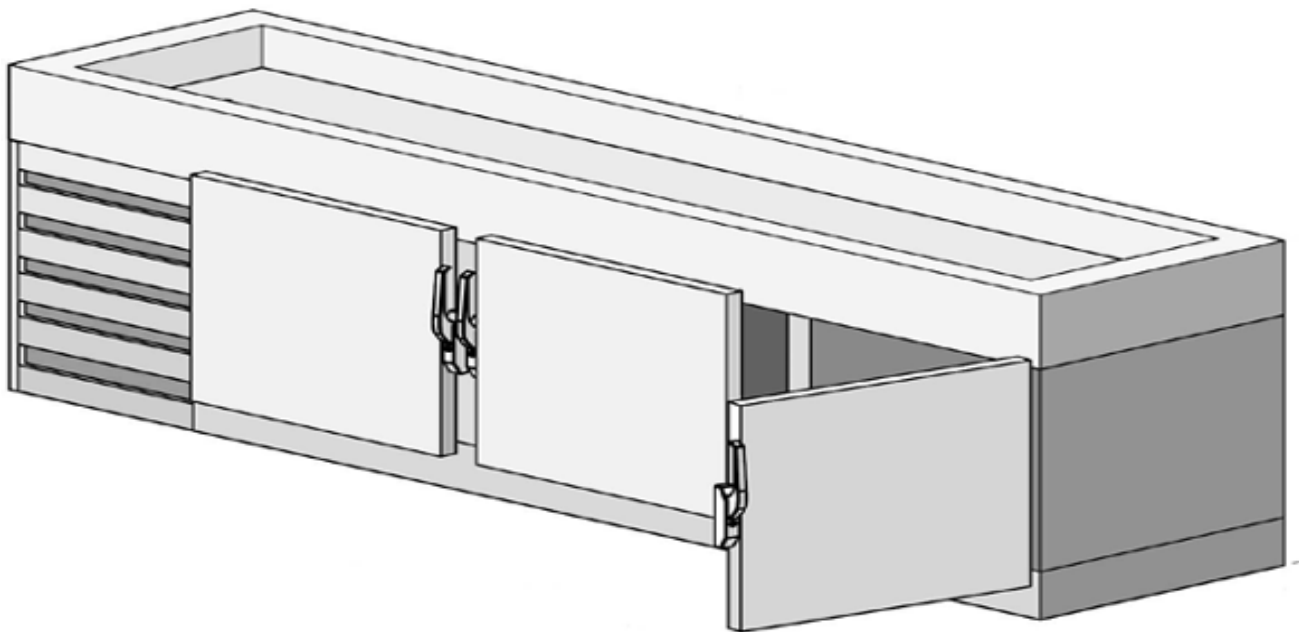


Figure 28 – NAV-8-HT-BC-2 Marine Cold Food Counter Unit

## MODEL SPECIFICATIONS

<b>NAV-8-HT-BC-2 Cold Food Counter Unit</b>	
INTERIOR VOLUME (CU.FT)	<b>17</b>
WIDTH	<b>110"</b>
HEIGHT	<b>31"</b>
DEPTH	<b>26"</b>
BODY DEPTH W/DOORS	<b>28"</b>
NUMBER OF SHELVES	<b>3</b>
NUMBER OF DOORS	<b>3</b>
ASSEMBLED WEIGHT (LBS)	<b>750</b>
CRATED WEIGHT (LBS)	<b>930</b>
REFRIGERANT	<b>R134A</b>
BTU / HOUR	<b>6500</b>
VOLTAGE	<b>115</b>
AMPERE	<b>9</b>
PHASE	<b>1</b>
COMPRESSOR	<b>1/2 HP</b>
SERVICE DISCONNECT	<b>YES</b>

NAV-6-HT-BC-2 Specifications

## CHAPTER 5

# MARINE UNDER COUNTER FREEZERS



## MARINE UNDER COUNTER FREEZERS

### Optional Equipment

- *Modular Design*
- *Aluminum Construction*
- *Digital Thermometer*
- *Spring Assist Hinges*

### Construction

- *Reinforced #304 stainless steel top, 11 gauge sub-top*
- *Formed in place, CFC free urethane insulation, highest R-value*
- *Stainless steel spill proof shelves adjustable on ½" centers*
- *Stainless steel louver panel (allows intake & discharge of air from front of cabinet)*
- *2" exterior dial thermometer*
- *Extra heavy duty chrome plated hinges*
- *Positive keyed locking handle provides best seal.*
- *Vinyl extruded replacement gaskets*
- *Stainless steel footed leg*

### Heavy Duty Refrigeration Unit

- *Ozone safe R-404A refrigerator*
- *Wrapped refrigeration system*
- *Sealed, condensing unit, air or water cooled with pull out design*
- *Preset temperature controls thermostatic expansion valve*
- *Thermostatic expansion valve*



## **Model NAV-5-LT-CT MARINE UNDER COUNTER FREEZER**

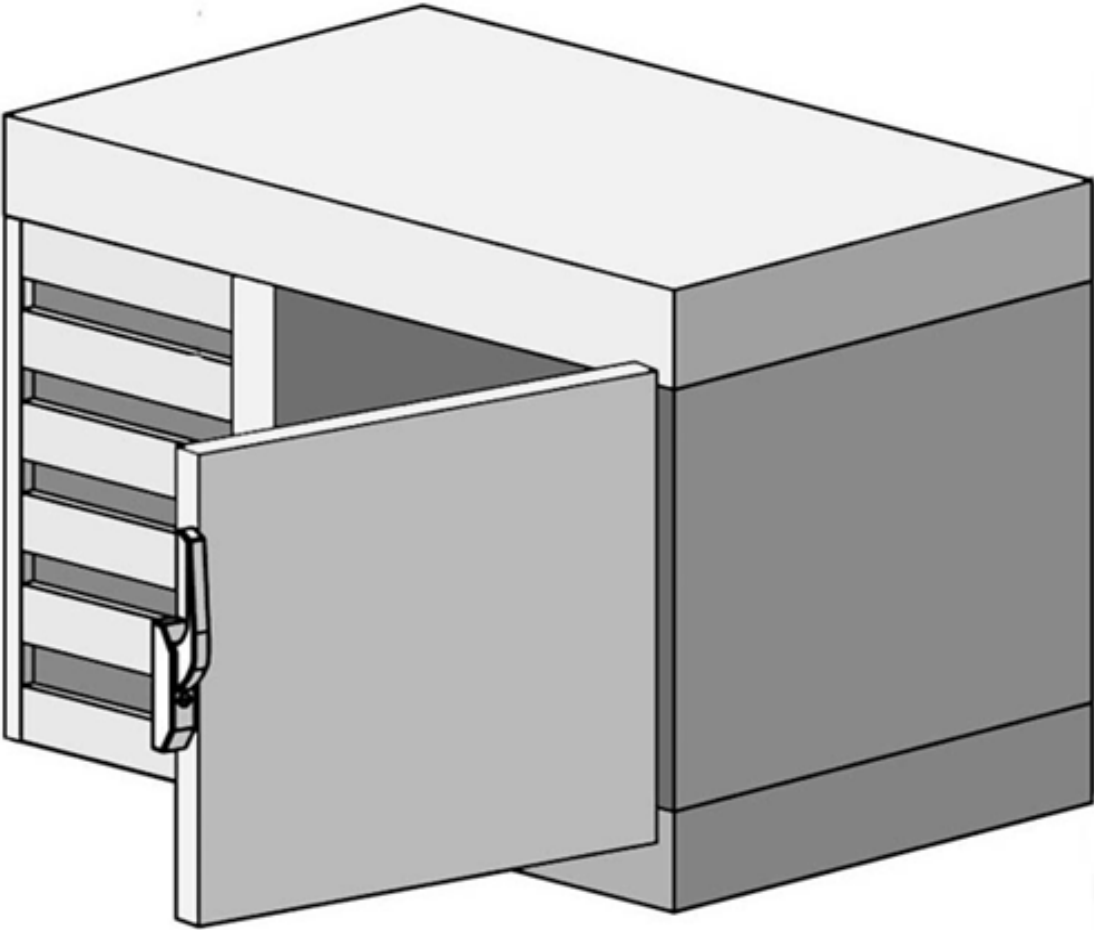


Figure 29 – NAV-5-LT-CT Marine Under Counter Freezer Unit

## MODEL SPECIFICATIONS

<b>NAV-5-LT-CT Under Counter Freezer Unit</b>	
INTERIOR VOLUME (CU.FT)	<b>5</b>
WIDTH	<b>40"</b>
HEIGHT	<b>28"</b>
DEPTH	<b>25"</b>
BODY DEPTH W/DOORS	<b>27"</b>
NUMBER OF SHELVES	<b>1</b>
NUMBER OF DOORS	<b>1</b>
ASSEMBLED WEIGHT (LBS)	<b>275</b>
CRATED WEIGHT (LBS)	<b>390</b>
REFRIGERANT	<b>R404A</b>
BTU / HOUR	<b>2000</b>
VOLTAGE	<b>115</b>
AMPERE	<b>7</b>
PHASE	<b>1</b>
COMPRESSOR	<b>1/3 HP</b>
SERVICE DISCONNECT	<b>YES</b>

NAV-5-LT-CT Specifications

**Model NAV-10-LT-CT  
MARINE UNDER COUNTER FREEZER**

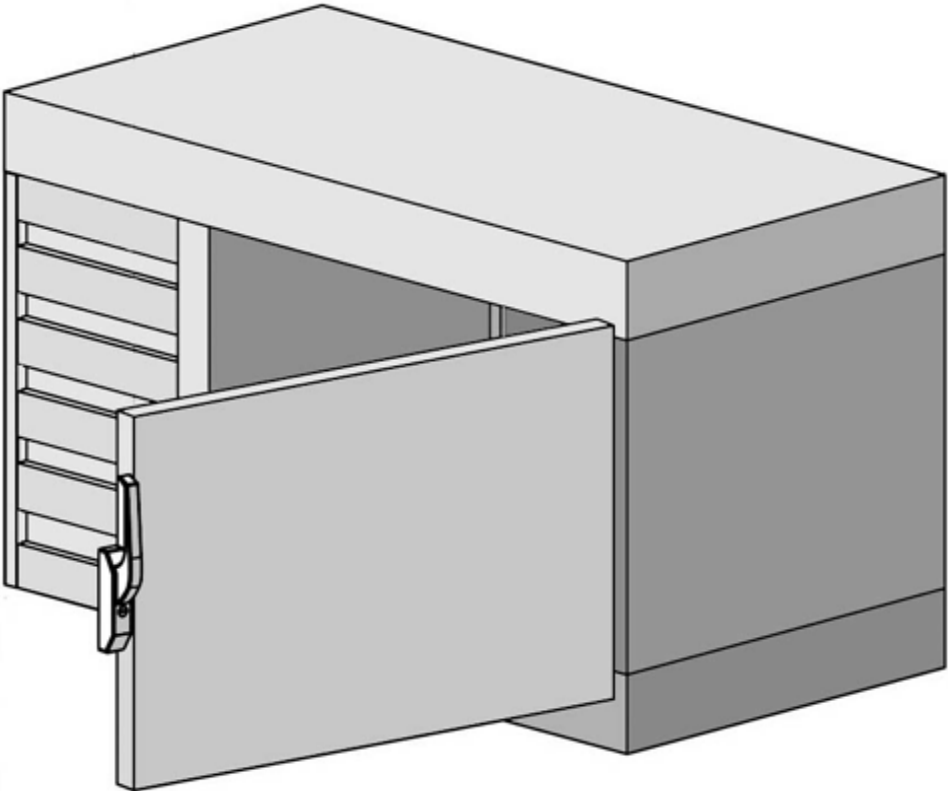


Figure 30 – NAV-10-LT-CT Marine Under Counter Freezer Unit

## MODEL SPECIFICATIONS

<b>NAV-10-LT-CT Under Counter Freezer Unit</b>	
INTERIOR VOLUME (CU.FT)	<b>10</b>
WIDTH	<b>49"</b>
HEIGHT	<b>28"</b>
DEPTH	<b>25"</b>
BODY DEPTH W/DOORS	<b>27"</b>
NUMBER OF SHELVES	<b>1</b>
NUMBER OF DOORS	<b>1</b>
ASSEMBLED WEIGHT (LBS)	<b>325</b>
CRATED WEIGHT (LBS)	<b>430</b>
REFRIGERANT	<b>R404A</b>
BTU / HOUR	<b>3000</b>
VOLTAGE	<b>115</b>
AMPERE	<b>7.5</b>
PHASE	<b>1</b>
COMPRESSOR	<b>1/3 HP</b>
SERVICE DISCONNECT	<b>YES</b>

NAV-10-LT-CT Specifications

**Model NAV-15-LT-CT  
MARINE UNDER COUNTER FREEZER**

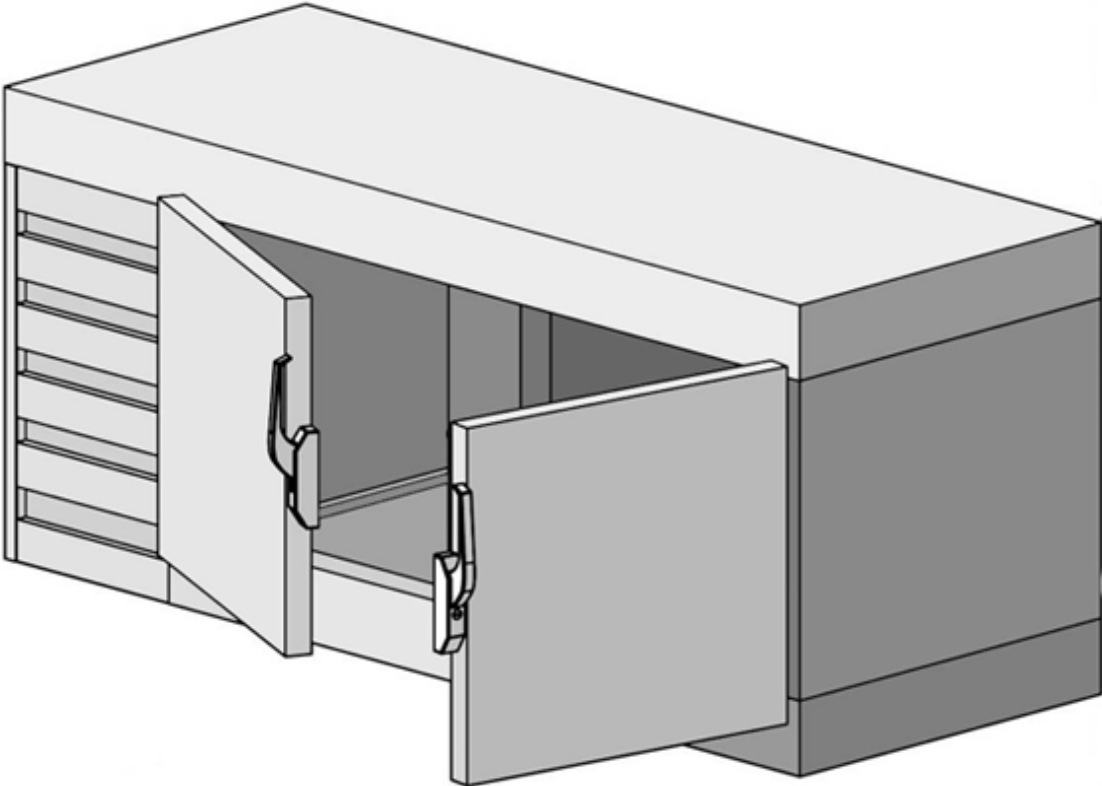


Figure 31 – NAV-15-LT-CT Marine Under Counter Freezer Unit

## MODEL SPECIFICATIONS

<b>NAV-15-LT-CT Under Counter Freezer Unit</b>	
INTERIOR VOLUME (CU.FT)	<b>15</b>
WIDTH	<b>66"</b>
HEIGHT	<b>28"</b>
DEPTH	<b>25"</b>
BODY DEPTH W/DOORS	<b>27"</b>
NUMBER OF SHELVES	<b>2</b>
NUMBER OF DOORS	<b>2</b>
ASSEMBLED WEIGHT (LBS)	<b>340</b>
CRATED WEIGHT (LBS)	<b>440</b>
REFRIGERANT	<b>R404A</b>
BTU / HOUR	<b>3500</b>
VOLTAGE	<b>115</b>
AMPERE	<b>8</b>
PHASE	<b>1</b>
COMPRESSOR	<b>1/3 HP</b>
SERVICE DISCONNECT	<b>YES</b>

NAV-15-LT-CT Specifications

**Model NAV-20-LT-CT  
MARINE UNDER COUNTER FREEZER**

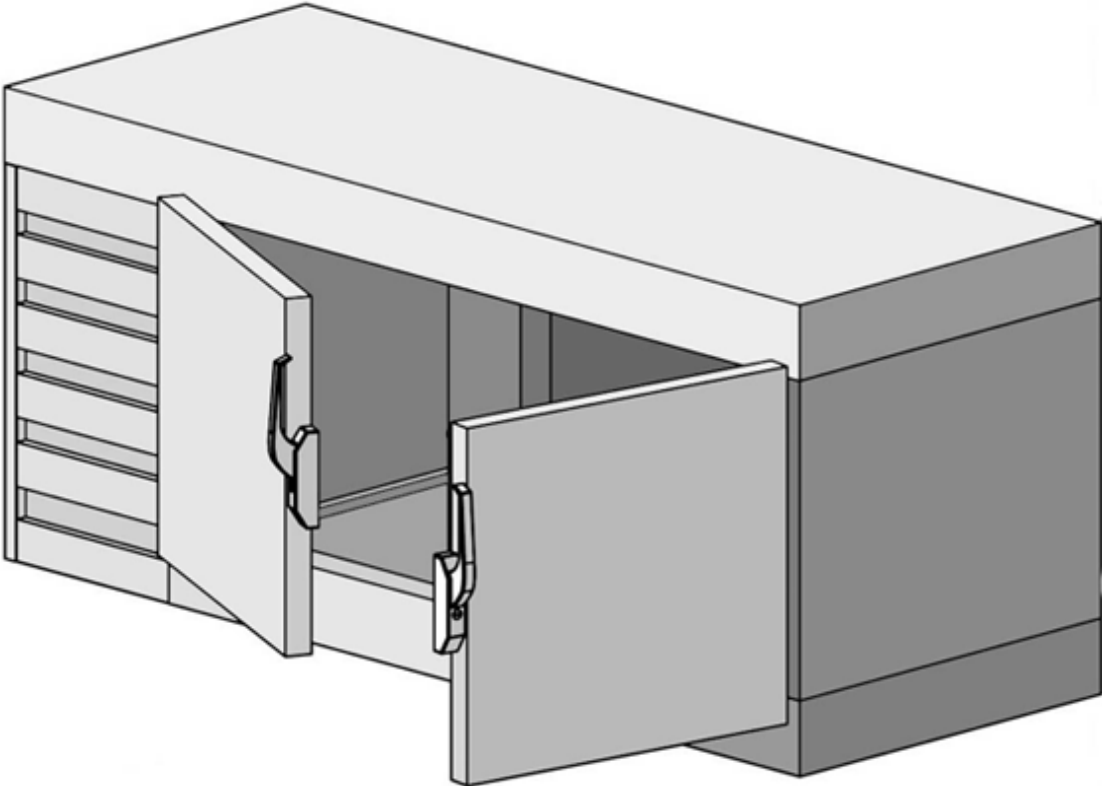


Figure 32 – NAV-20-LT-CT Marine Under Counter Freezer Unit

## MODEL SPECIFICATIONS

<b>NAV-20-LT-CT Under Counter Freezer Unit</b>	
INTERIOR VOLUME (CU.FT)	<b>20</b>
WIDTH	<b>84"</b>
HEIGHT	<b>28"</b>
DEPTH	<b>25"</b>
BODY DEPTH W/DOORS	<b>30"</b>
NUMBER OF SHELVES	<b>2</b>
NUMBER OF DOORS	<b>2</b>
ASSEMBLED WEIGHT (LBS)	<b>390</b>
CRATED WEIGHT (LBS)	<b>510</b>
REFRIGERANT	<b>R404A</b>
BTU / HOUR	<b>4000</b>
VOLTAGE	<b>115</b>
AMPERE	<b>9</b>
PHASE	<b>1</b>
COMPRESSOR	<b>1/2 HP</b>
SERVICE DISCONNECT	<b>YES</b>

NAV-20-LT-CT Specifications



## **Model NAV-30-LT-CT MARINE UNDER COUNTER FREEZER**

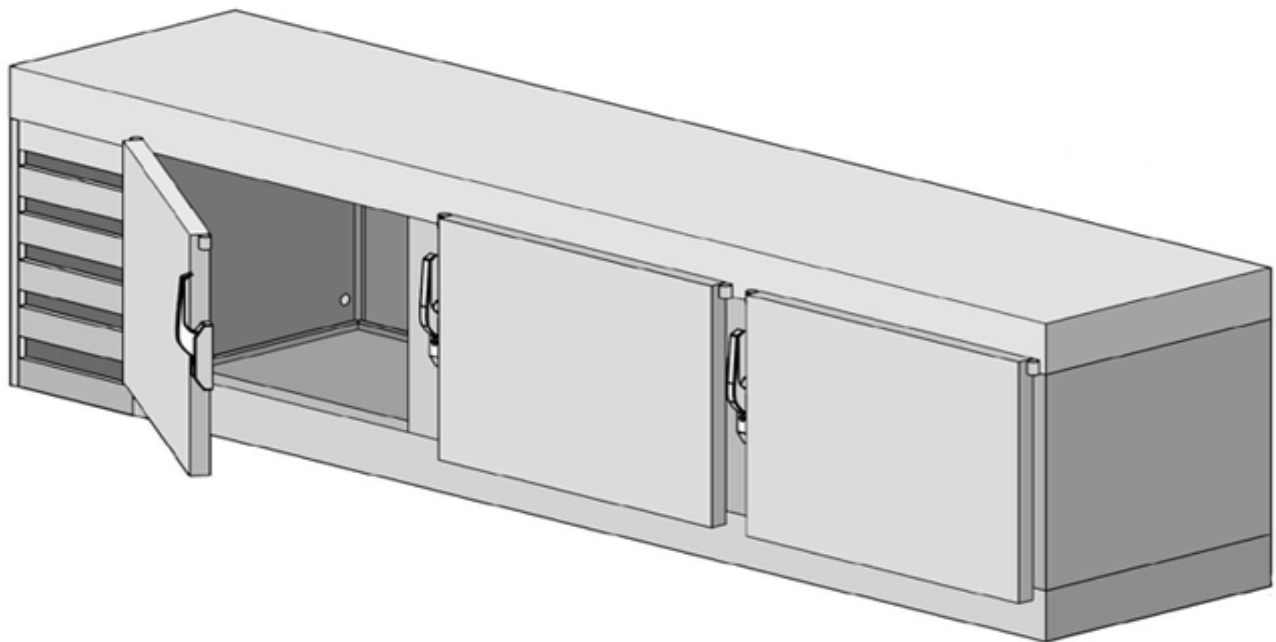


Figure 33 – NAV-30-LT-CT Marine Under Counter Freezer Unit

## MODEL SPECIFICATIONS

<b>NAV-30-LT-CT Under Counter Freezer Unit</b>	
INTERIOR VOLUME (CU.FT)	<b>30</b>
WIDTH	<b>115"</b>
HEIGHT	<b>31"</b>
DEPTH	<b>26"</b>
BODY DEPTH W/DOORS	<b>28"</b>
NUMBER OF SHELVES	<b>4</b>
NUMBER OF DOORS	<b>3</b>
ASSEMBLED WEIGHT (LBS)	<b>615</b>
CRATED WEIGHT (LBS)	<b>715</b>
REFRIGERANT	<b>R404A</b>
BTU / HOUR	<b>5500</b>
VOLTAGE	<b>115</b>
AMPERE	<b>10</b>
PHASE	<b>1</b>
COMPRESSOR	<b>3/4 HP</b>
SERVICE DISCONNECT	<b>YES</b>

NAV-30-LT-CT Specifications

## CHAPTER 6

# MARINE UNDER COUNTER REFRIGERATORS



## MARINE UNDER COUNTER REFRIGERATORS

### Optional Equipment

- *Modular Design*
- *Aluminum Construction*
- *Digital Thermometer*
- *Spring Assist Hinges*

### Construction

- *Reinforced #304 stainless steel top, 11 gauge sub-top*
- *Formed in place, CFC free urethane insulation, highest R-value*
- *Stainless steel spill proof shelves adjustable on ½" centers*
- *Stainless steel louver panel (allows intake & discharge of air from front of cabinet)*
- *2" exterior dial thermometer*
- *Extra heavy duty chrome plated hinges*
- *Positive keyed locking handle provides best seal.*
- *Vinyl extruded replacement gaskets*
- *Stainless steel footed leg*

### Heavy Duty Refrigeration Unit

- *Ozone safe R-134A refrigerator*
- *Wrapped refrigeration system*
- *Sealed, condensing unit, air or water cooled with pull out design*
- *Preset temperature controls thermostatic expansion valve*
- *Thermostatic expansion valve*

## **Model NAV-5-HT-CT MARINE UNDER COUNTER REFRIGERATOR**

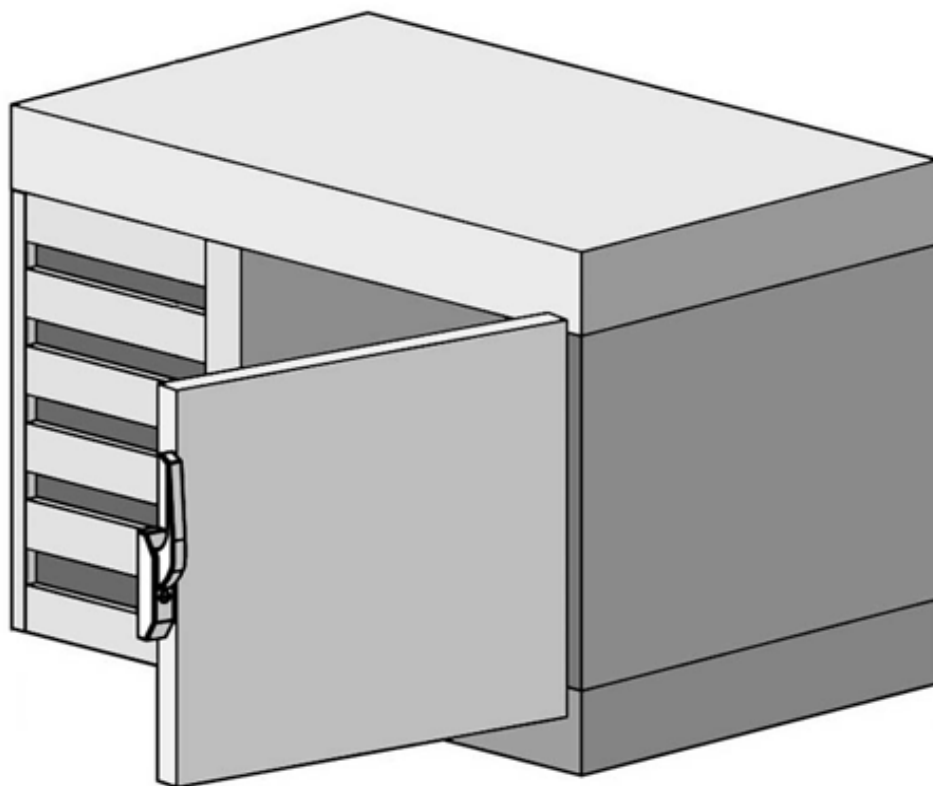


Figure 34 – NAV-5-HT-CT Marine Under Counter Refrigerator Unit

## MODEL SPECIFICATIONS

<b>NAV-5-HT-CT Under Counter Refrigerator Unit</b>	
INTERIOR VOLUME (CU.FT)	<b>5</b>
WIDTH	<b>40"</b>
HEIGHT	<b>28"</b>
DEPTH	<b>25"</b>
BODY DEPTH W/DOORS	<b>27"</b>
NUMBER OF SHELVES	<b>1</b>
NUMBER OF DOORS	<b>1</b>
ASSEMBLED WEIGHT (LBS)	<b>275</b>
CRATED WEIGHT (LBS)	<b>390</b>
REFRIGERANT	<b>R134A</b>
BTU / HOUR	<b>2500</b>
VOLTAGE	<b>115</b>
AMPERE	<b>5</b>
PHASE	<b>1</b>
COMPRESSOR	<b>1/4 HP</b>
SERVICE DISCONNECT	<b>YES</b>

NAV-5-HT-CT Specifications

## **Model NAV-10-HT-CT MARINE UNDER COUNTER REFRIGERATOR**

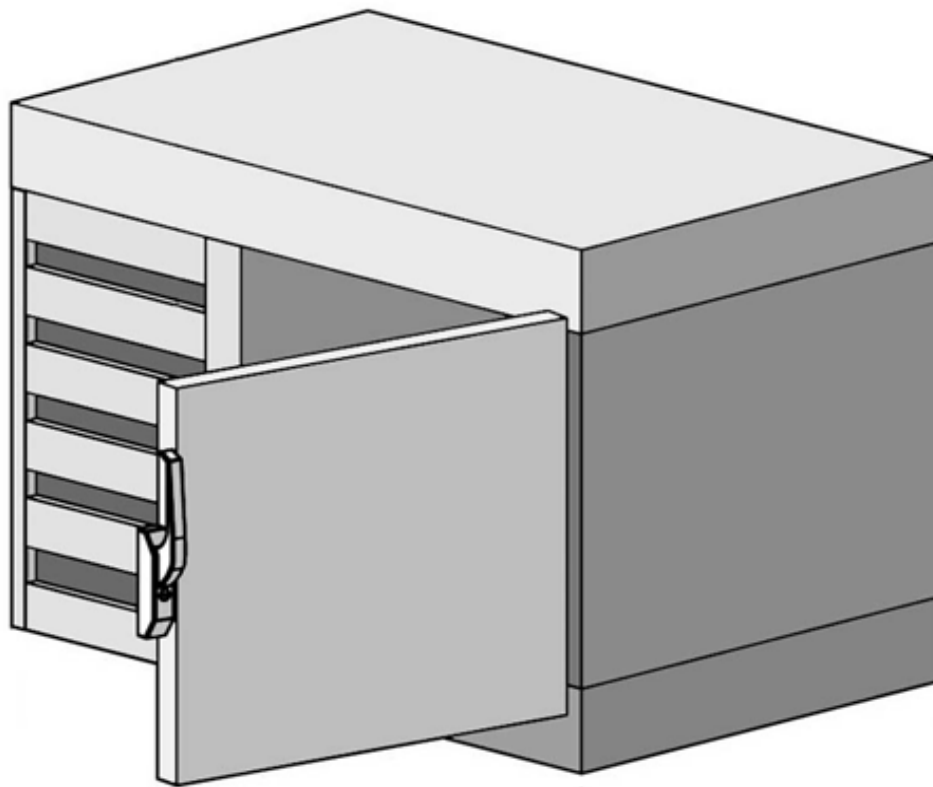


Figure 35 – NAV-10-HT-CT Marine Under Counter Refrigerator Unit

## MODEL SPECIFICATIONS

<b>NAV-10-HT-CT Under Counter Refrigerator Unit</b>	
INTERIOR VOLUME (CU.FT)	<b>10</b>
WIDTH	<b>49"</b>
HEIGHT	<b>28"</b>
DEPTH	<b>25"</b>
BODY DEPTH W/DOORS	<b>27"</b>
NUMBER OF SHELVES	<b>1</b>
NUMBER OF DOORS	<b>1</b>
ASSEMBLED WEIGHT (LBS)	<b>325</b>
CRATED WEIGHT (LBS)	<b>430</b>
REFRIGERANT	<b>R134A</b>
BTU / HOUR	<b>3000</b>
VOLTAGE	<b>115</b>
AMPERE	<b>4</b>
PHASE	<b>1</b>
COMPRESSOR	<b>1/3 HP</b>
SERVICE DISCONNECT	<b>YES</b>

NAV-10-HT-CT Specifications



## **Model NAV-15-HT-CT MARINE UNDER COUNTER REFRIGERATOR**

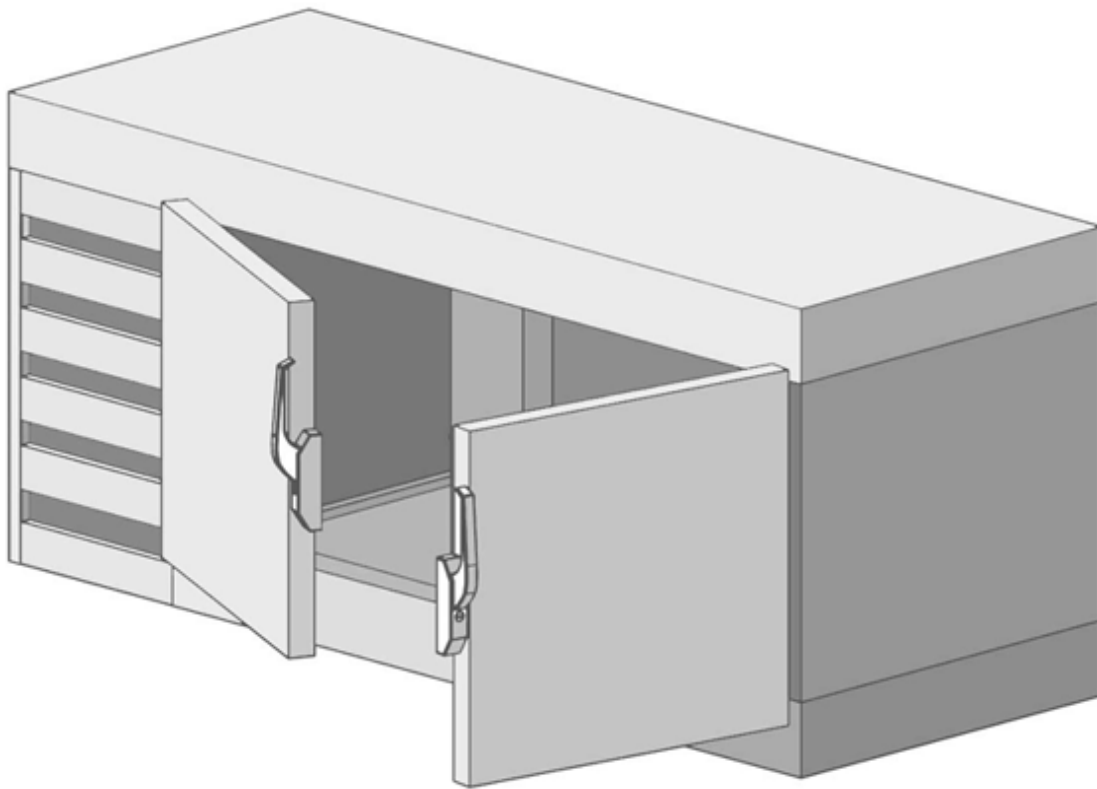


Figure 36 – NAV-15-HT-CT Marine Under Counter Refrigerator Unit

## MODEL SPECIFICATIONS

<b>NAV-15-HT-CT Under Counter Refrigerator Unit</b>	
INTERIOR VOLUME (CU.FT)	<b>15</b>
WIDTH	<b>66"</b>
HEIGHT	<b>28"</b>
DEPTH	<b>25"</b>
BODY DEPTH W/DOORS	<b>27"</b>
NUMBER OF SHELVES	<b>2</b>
NUMBER OF DOORS	<b>2</b>
ASSEMBLED WEIGHT (LBS)	<b>340</b>
CRATED WEIGHT (LBS)	<b>440</b>
REFRIGERANT	<b>R134A</b>
BTU / HOUR	<b>4500</b>
VOLTAGE	<b>115</b>
AMPERE	<b>7</b>
PHASE	<b>1</b>
COMPRESSOR	<b>1/3 HP</b>
SERVICE DISCONNECT	<b>YES</b>

NAV-15-HT-CT Specifications

## **Model NAV-20-HT-CT MARINE UNDER COUNTER REFRIGERATOR**

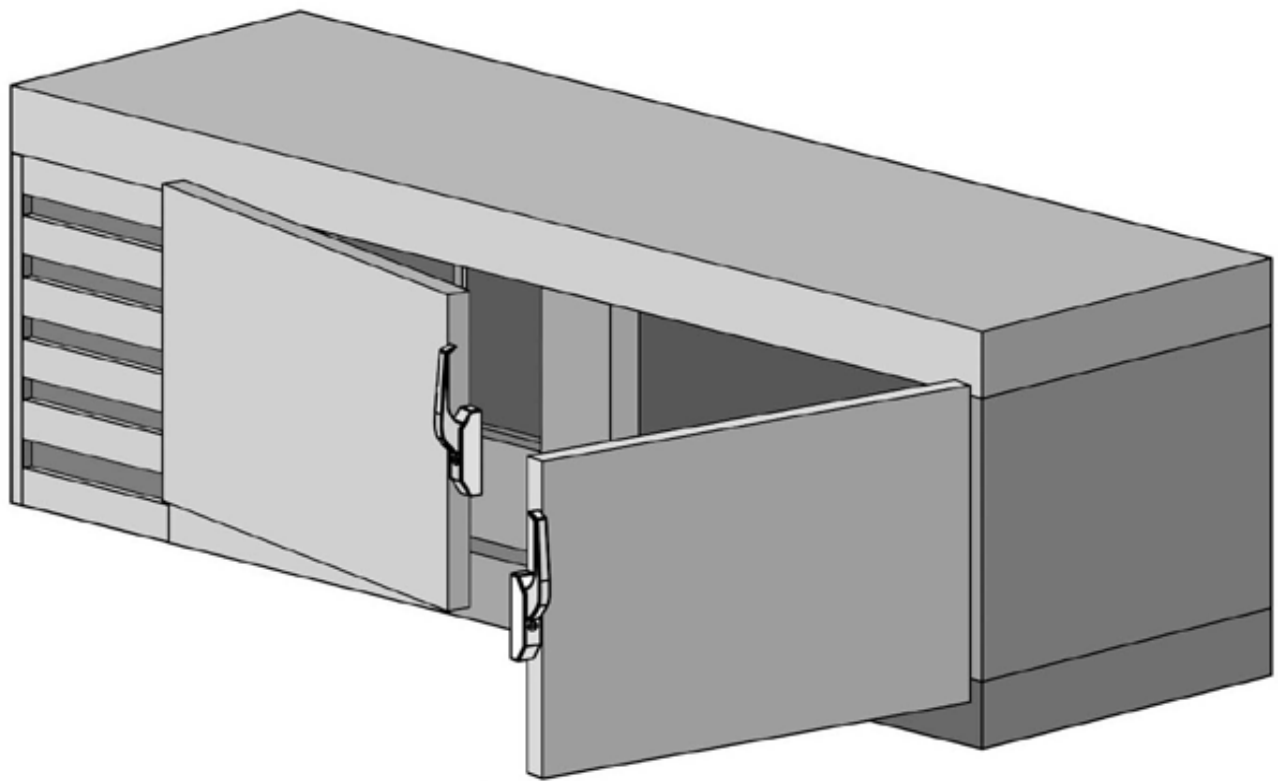


Figure 37 – NAV-20-HT-CT Marine Under Counter Refrigerator Unit

## MODEL SPECIFICATIONS

<b>NAV-20-HT-CT Under Counter Refrigerator Unit</b>	
INTERIOR VOLUME (CU.FT)	<b>20</b>
WIDTH	<b>84"</b>
HEIGHT	<b>28"</b>
DEPTH	<b>25"</b>
BODY DEPTH W/DOORS	<b>30"</b>
NUMBER OF SHELVES	<b>2</b>
NUMBER OF DOORS	<b>2</b>
ASSEMBLED WEIGHT (LBS)	<b>390</b>
CRATED WEIGHT (LBS)	<b>510</b>
REFRIGERANT	<b>R134A</b>
BTU / HOUR	<b>4500</b>
VOLTAGE	<b>115</b>
AMPERE	<b>6</b>
PHASE	<b>1</b>
COMPRESSOR	<b>1/3 HP</b>
SERVICE DISCONNECT	<b>YES</b>

NAV-20-HT-CT Specifications

## **Model NAV-30-HT-CT MARINE UNDER COUNTER REFRIGERATOR**

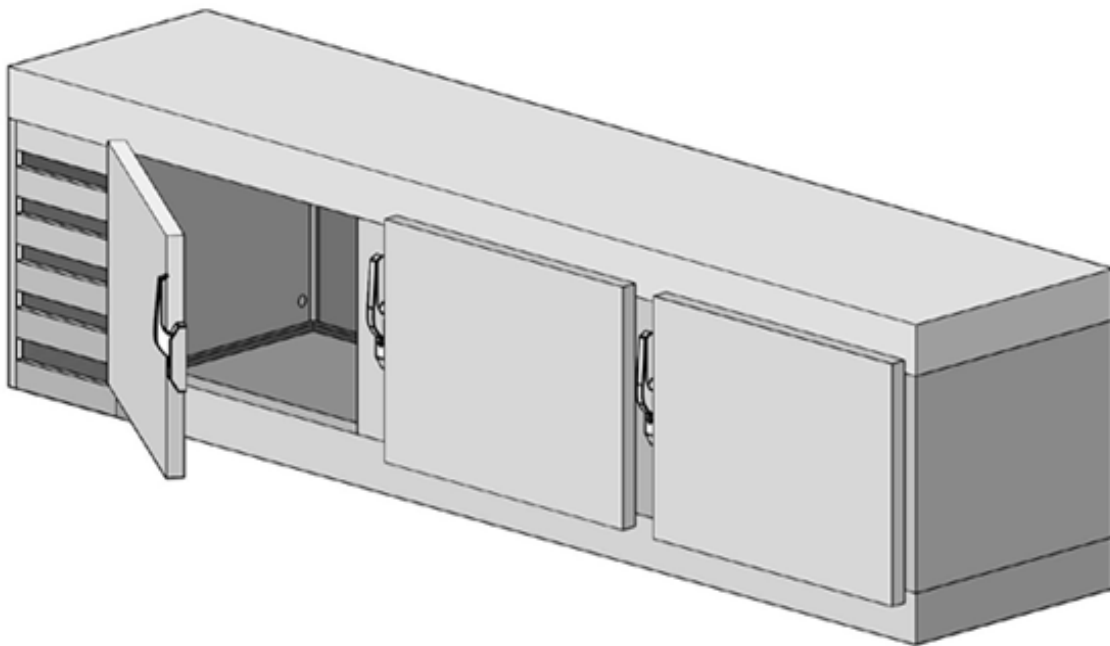


Figure 38 – NAV-30-HT-CT Marine Under Counter Refrigerator Unit

## MODEL SPECIFICATIONS

<b>NAV-30-HT-CT Under Counter Refrigerator Unit</b>	
INTERIOR VOLUME (CU.FT)	<b>30</b>
WIDTH	<b>115"</b>
HEIGHT	<b>28"</b>
DEPTH	<b>25"</b>
BODY DEPTH W/DOORS	<b>27"</b>
NUMBER OF SHELVES	<b>4</b>
NUMBER OF DOORS	<b>3</b>
ASSEMBLED WEIGHT (LBS)	<b>615</b>
CRATED WEIGHT (LBS)	<b>715</b>
REFRIGERANT	<b>R134A</b>
BTU / HOUR	<b>5000</b>
VOLTAGE	<b>115</b>
AMPERE	<b>6</b>
PHASE	<b>1</b>
COMPRESSOR	<b>1/2 HP</b>
SERVICE DISCONNECT	<b>YES</b>

NAV-30-HT-CT Specifications

## WARRANTY

*WE WARRANT TO THE ORIGINAL PURCHASER THAT THIS REFRIGERATOR OR FREEZER WILL BE FREE FROM DEFECTS IN MATERIAL AND WORKMANSHIP UNDER NORMAL USE AND SERVICE AS DETERMINED BY US.*

*WE WILL WITHIN ONE YEAR FROM THE DATE OF ORIGINAL INSTALLATION OR EIGHTEEN MONTHS FROM THE ORIGINAL SHIPMENT FROM FACTORY, WHICHEVER IS SOONER, REPLACE WITHOUT CHARGE, ANY PART OR PORTION THEREOF, WHICH IS RETURNED TO US, TRANSPORTATION CHARGES PREPAID TO THE FACTORY, AND WHICH UPON EXAMINATION SHALL DISCLOSE TO OUR SATISFACTION TO BE DEFECTIVE.*

*THIS WARRANTY DOES NOT APPLY TO ANY REPLACEMENT NECESSITATED BY ANY OTHER CAUSES, INCLUDING BUT NOT LIMITED TO, ANY REFRIGERATOR OR FREEZER WHICH HAS BEEN SUBJECT TO ABUSE, MISUSE, NEGLIGENCE, OR ALTERATION UNAUTHORIZED BY US, ACCIDENT OR DAMAGE BY FIRE, ACT OF GOD, OR IN TRANSIT, AND IS IN LIEU OF ALL OTHER WARRANTIES EXCEPT SUCH AS MAY BE SET FORTH IN WRITING AND SIGNED BY US. THIS WARRANTY DOES NOT COVER ANY LABOR COST FOR REPLACING DEFECTIVE PARTS.*

*WE SHALL NOT BE LIABLE FOR DAMAGE OR LOSS DUE TO ANY DELAYS IN REPLACEMENT OR FOR ANY CONSEQUENTIAL DAMAGES.*

*BE ADVISED THAT REMOVAL OF ORIGINAL SERIAL NUMBERS OR DEVIATION FROM THE PUBLISHED INSTALLATION OR OPERATING INSTRUCTIONS, OR FROM THE RATED CAPACITY OF THE REFRIGERATOR OR FREEZER WHEN NOT AUTHORIZED IN WRITING BY US, INVALIDATES THIS WARRANTY.*

*THIS WARRANTY MAY NOT BE MODIFIED EXCEPT IN WRITING SIGNED BY US.*

RTF Manufacturing  
ATMOST REFRIGERATION

## **LOST OR DAMAGED SHIPMENT**

Always check your freight for shortages for signs of damage, every time you receive shipment. If there is a problem, immediately bring it to the attention of the driver and then take the following steps:

### **FOR VISIBLE DAMAGE:**

If the containers in your shipment show visible signs of damage, open them immediately to check contents, and ask the driver to inspect the contents with you. Then write a complete description of the damage on both copies of the delivery receipt. After delivery, contact your local terminal to help determine if an inspection and formal written report is required.

OCCASIONALLY, IT MAYBE NECESSARY TO HAVE AN INSPECTOR EXAMINE THE DAMAGED FREIGHT!

A carrier may also request that you do the inspection yourself and keep a written description IN CASE A CLAIM IS FILED. "AN INSPECTION REPORT IS NOT A CLAIM"

### **FOR CONCEALED LOSS OR DAMAGE:**

As soon as possible after delivery, unpack and inspect your shipment. If you discover concealed damage report it immediately to the carrier, and request an inspection within 15 days from the date it was delivered.

### **HOW TO FILE A CLAIM:**

A claim and its' supporting documentation are required to be filed within (9) months of delivery. Freight carriers will not pay a claim unless it is filed, in writing, within the 9 month period.

### **PROCEDURE FOR FILING A CLAIM:**

- A. Determine the dollar amount which represents your loss.
- B. Complete the carrier's claim form.
- C. Collect the following documents to support your claim-
  1. A Vendor Invoice for the goods, including the full price paid after any discounts or deductions.
  2. A copy of the Freight Bill.
  3. A copy of the Bill of Lading.
  4. Send or fax your claim and all related documents to the Carrier Claim Department.

### **CLAIM PROCESSING:**

Once you register your claim, the carrier will assign a Claim Number and a Claim Investigator to your claim.





# Commercial Off-Shore Refrigeration

[www.rtfmanufacturing.com](http://www.rtfmanufacturing.com)

Off-Shore Catalog

---

## **RTF Manufacturing is Your Source for Refrigeration and Freezer Equipment for the Marine Industry. Built to Fit Your Plans.**

**Call 1-800-836-0744** or **email: [info@rtfmanufacturing.com](mailto:info@rtfmanufacturing.com)** to request a quote today.

RTF has trained personnel available to assist you in product selection, installation and maintenance. Our RTF service department is available to take your call. Discuss your requirements with an RTF engineer and we will provide the assistance you need. A detailed quote and specifications will be provided for each job.

RTF Manufacturing • 793 Route 66, Hudson, NY 12534 • [www.rtfmanufacturing.com](http://www.rtfmanufacturing.com)  
Toll Free: 800-836-0744 • Fax: 518-828-2257 • [info@rtfmanufacturing.com](mailto:info@rtfmanufacturing.com)