



RTF
Manufacturing

www.RTFManufacturing.com

**MARINE
REFRIGERATION**

Equipment Catalog

State-of-the-Art Quality Refrigeration Systems for the Marine Industry



RTF Manufacturing Superior Refrigerators and Freezers

ENGINEERED TO THE HIGHEST MILITARY SPECIFICATIONS



RTF Manufacturing.com

793 Route 66, Hudson, NY 12534

Toll Free: 1-800-836-0744 – Fax: (518) 828-2257

Email: info@rtfmanufacturing.com



EQUIPMENT CATALOG

Refrigeration Systems for the Marine Industry



RTF Manufacturing
793 Route 66
Hudson, NY 12534

INTRODUCTION

Ten Things You Should Know About RTF Manufacturing!

- 1. RTF Superior Design Refrigerators and Freezers** are constructed with heavy gauge stainless steel interior and exterior with foamed in place with CFC free urethane insulation. Fully hermetic compressors, extra heavy duty with chrome plated two point hinges. Positive keyed locking handles provides best door seal. All units are available in modular/hatchable construction.
- 2. Complete Size and Style** offering from 4 cubic to 90 cubic feet capacity. RTF Refrigerators and Freezers are available in a verity of sizes and styles. Whether it's a 5 cubic foot under counter or a MODULAR 40 cubic foot freezer, the same exacting standards and quality you expect are built into everyone. Our units are used for Navy Vessels, Coast Guard Vessels, Crew-Off Shore Supply Vessels, Container Ships, Push Boats, Fishing Vessels, and Jack-up Drill rigs. Our units are tough to beat and easy to find from a choice from over 80 models.
- 3. New Pricing and Value** is effective immediately. All of our most popular models have been priced lower to enhance your RTF value package. We offer Reliability, Durability, and quality at a competitive price.
- 4. Stock Availability** of many of our most popular RTF models is available for immediate shipment.
- 5. Technical Assistance** is always available. If you have a question or problem, RTF is there for you. Just call our Toll Free Support Hotline at 1-800-836-0744 and our service department will be happy to assist you. Experience the finest in technical support. Our staff of highly qualified experts is available to you from 6:30AM to 5:00PM Eastern Standard Time.
- 6. Service Capability** RTF Refrigerators and Freezers are built using only the highest grade of materials and are fully hermetic compressors with a network of wholesalers throughout the US and Canada. You can get your motor or compressor repaired or replaced fast with no need to go anywhere else.
- 7. Custom or Special Sizes** are made to fit. RTF can build or modify a Refrigerator or Freezer to fit your requirements. Our CAD drawing department will be happy to assist you in providing all the drawings for your next special project.
- 8. Durability** of RTF Refrigerators and Freezers is possible, because they are engineered to the highest military standards and specifications. Our continued commitment to the marine industry allows us first hand to witness to some of the harshest conditions this equipment operates in and we are proud to say that we pass the test.
- 9. Complete Line of Equipment** offered by RTF includes a wide range of Refrigerators and Freezers. You may call or write for a full line catalog.
- 10. Our Promise** is that all RTF Refrigerators and Freezers exceed the industry standards. You can be confident that the unit you are getting has met the quality level you deserve

TABLE OF CONTENTS

TITLE PAGE	Page 1
INTRODUCTION General Manufacturing and Product Information	Page 2
TABLE OF CONTENTS	Page 3
LIST MARINE REFRIGERATION UNITS Units designated by Type and Model.	Page 4
MARINE REFRIGERATORS Chapter 1	Page 6
MARINE FREEZERS Chapter 2	Page 26
MARINE REFRIGERATOR/FREEZERS Chapter 3	Page 46
MARINE COLD FOOD COUNTERS Chapter 4	Page 58
MARINE UNDER COUNTER FREEZERS Chapter 5	Page 70
MARINE UNDER COUNTER REFRIGERATORS Chapter 6	Page 82
WARRANTY	Page 94
LOST OR DAMAGED SHIPMENT	Page 95

MARINE REFRIGERATION UNITS

CHAPTER 1: Marine Refrigerators , Title Page	Page 6
REFRIGERATOR UNITS, Features and Descriptions	
NAV-5-HT-B Unit Features, Description, Modular Assembly, and Specifications	Page 8
NAV-10-HT-B Unit Features, Description, Modular Assembly, and Specifications	Page 10
NAV-15-HT-B Unit Features, Description, Modular Assembly, and Specifications	Page 12
NAV-20-HT-B Unit Features, Description, Modular Assembly, and Specifications	Page 14
NAV-30-HT-B Unit Features, Description, Modular Assembly, and Specifications	Page 16
NAV-40-HT-B Unit Features, Description, Modular Assembly, and Specifications	Page 18
NAV-50-HT-B Unit Features, Description, Modular Assembly, and Specifications	Page 20
NAV-65-HT-B Unit Features, Description, Modular Assembly, and Specifications	Page 22
NAV-75-HT-B Unit Features, Description, Modular Assembly, and Specifications	Page 24
CHAPTER 2: Marine Freezers , Title Page	Page 26
REFRIGERATOR UNITS, Features and Descriptions	
NAV-5-LT-B Unit Features, Description, Modular Assembly, and Specifications	Page 28
NAV-10-LT-B Unit Features, Description, Modular Assembly, and Specifications	Page 30
NAV-15-LT-B Unit Features, Description, Modular Assembly, and Specifications	Page 32
NAV-20-LT-B Unit Features, Description, Modular Assembly, and Specifications	Page 34
NAV-30-LT-B Unit Features, Description, Modular Assembly, and Specifications	Page 36
NAV-40-LT-B Unit Features, Description, Modular Assembly, and Specifications	Page 38
NAV-50-LT Unit Features, Description, Modular Assembly, and Specifications	Page 40
NAV-65-LT-B Unit Features, Description, Modular Assembly, and Specifications	Page 42
NAV-75-LT-B Unit Features, Description, Modular Assembly, and Specifications	Page 44

MARINE REFRIGERATION UNITS *(Continued)*

CHAPTER 3: Marine Refrigerators/Freezers , Title Page	Page 46
REFRIGERATOR UNITS, Features and Descriptions	
NAV-3-6-HLT-B	Page 48
Unit Features, Description, Modular Assembly, and Specifications	
NAV-6-14-HLT-B	Page 50
Unit Features, Description, Modular Assembly, and Specifications	
NAV-10-10-HLT-B	Page 52
Unit Features, Description, Modular Assembly, and Specifications	
NAV-13-17-HLT-B	Page 54
Unit Features, Description, Modular Assembly, and Specifications	
NAV-17-20-HLT-B	Page 56
Unit Features, Description, Modular Assembly, and Specifications	
CHAPTER 4: Marine Cold Food Counters , Title Page	Page 58
REFRIGERATOR UNITS, Features and Descriptions	
NAV-3-HT-BC-2	Page 60
Unit Features, Description, Modular Assembly, and Specifications	
NAV-4-HT-BC-2	Page 62
Unit Features, Description, Modular Assembly, and Specifications	
NAV-5-HT-BC-2	Page 64
Unit Features, Description, Modular Assembly, and Specifications	
NAV-6-HT-BC-2	Page 66
Unit Features, Description, Modular Assembly, and Specifications	
NAV-8-HT-BC-2	Page 68
Unit Features, Description, Modular Assembly, and Specifications	
CHAPTER 5: Marine Under Counter Freezers , Title Page	Page 70
REFRIGERATOR UNITS, Features and Descriptions	
NAV-5-LT-CT	Page 72
Unit Features, Description, Modular Assembly, and Specifications	
NAV-10-LT-CT	Page 74
Unit Features, Description, Modular Assembly, and Specifications	
NAV-15-LT-CT	Page 76
Unit Features, Description, Modular Assembly, and Specifications	
NAV-20-LT-CT	Page 78
Unit Features, Description, Modular Assembly, and Specifications	
NAV-30-LT-CT	Page 80
Unit Features, Description, Modular Assembly, and Specifications	
CHAPTER 6: Marine Under Counter Refrigerators , Title Page	Page 82
REFRIGERATOR UNITS, Features and Descriptions	
NAV-5-HT-CT	Page 84
Unit Features, Description, Modular Assembly, and Specifications	
NAV-10-HT-CT	Page 86
Unit Features, Description, Modular Assembly, and Specifications	
NAV-15-HT-CT	Page 88
Unit Features, Description, Modular Assembly, and Specifications	
NAV-20-HT-CT	Page 90
Unit Features, Description, Modular Assembly, and Specifications	
NAV-30-HT-CT	Page 92
Unit Features, Description, Modular Assembly, and Specifications	

CHAPTER 1

MARINE REFRIGERATORS



MARINE REFRIGERATOR FEATURES AND DESCRIPTION

Optional Equipment

- *Modular Design*
- *Aluminum Construction*
- *Digital Thermometer*
- *Spring Assist Hinges*

Heavy Duty Refrigeration System

- *Ozone safe R-134A refrigerant*
- *Wrapped refrigeration system*
- *Sealed, condensing unit, air or water cooled with pull out design*
- *Preset temperature controls*
- *Thermostatic expansion valve*

Construction

- *Heavy gauge stainless steel #304 interior and exterior*
- *Formed in place, CFC Free Urethane insulation, highest R-value*
- *Stainless steel spill proof shelves*
- *2" exterior reading dial thermometer*
- *Extra heavy duty chrome plated hinges*
- *Positive keyed locking handle provides best seal*
- *Interior lighting activated by door switch*
- *Vinyl extruded replacement gaskets*
- *Heavy base frame*

Model NAV-5-HT-B REFRIGERATION UNIT

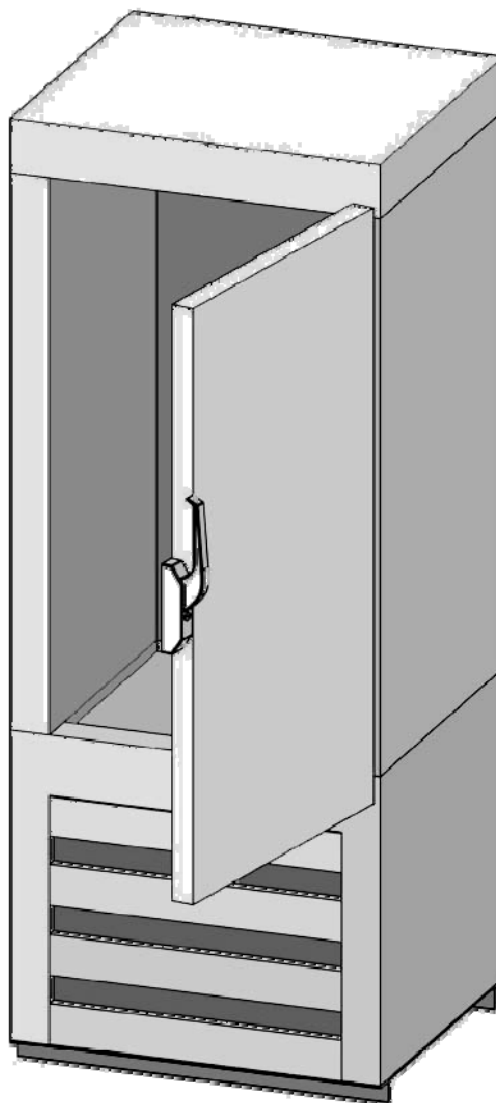


Figure 1 – NAV-5-HT-B Refrigeration Unit

MODEL SPECIFICATIONS

NAV-5-HT-B Refrigeration Unit	
INTERIOR VOLUME (CU.FT)	7.5
WIDTH	24"
HEIGHT	61"
DEPTH	21"
BODY DEPTH W/DOORS	23"
NUMBER OF SHELVES	2
NUMBER OF DOORS	1
ASSEMBLED WEIGHT (LBS)	375
CRATED WEIGHT (LBS)	410
REFRIGERANT	R134A
BTU / HOUR	2600
VOLTAGE	115
AMPERE	4
PHASE	1
COMPRESSOR	1/4 HP
SERVICE DISCONNECT	YES

NAV-5-HT-B Specifications

Model NAV-10-HT-B REFRIGERATION UNIT

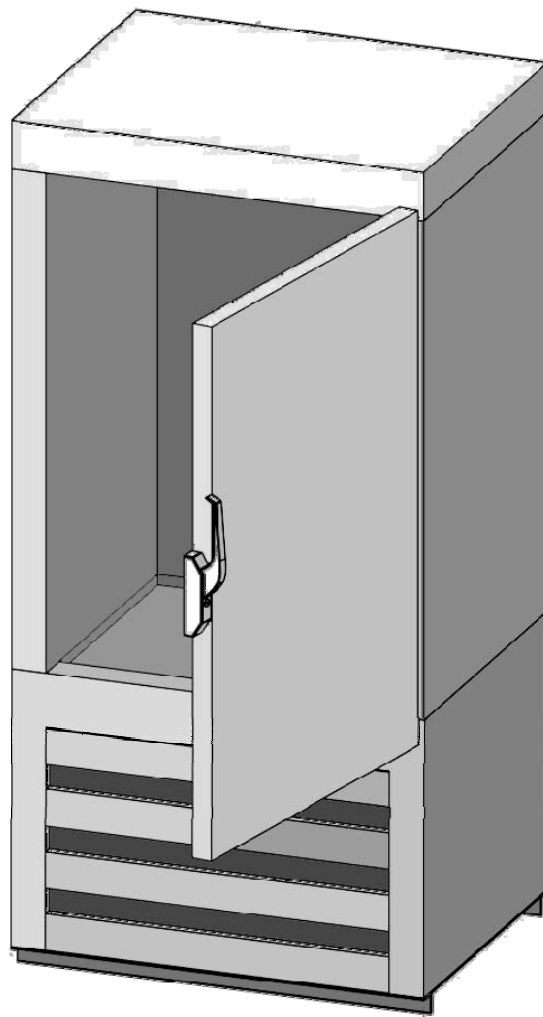


Figure 2 – NAV-10-HT-B Refrigeration Unit

MODEL SPECIFICATIONS

NAV-10-HT-B Refrigeration Unit	
INTERIOR VOLUME (CU.FT)	10
WIDTH	30"
HEIGHT	61"
DEPTH	24"
BODY DEPTH W/DOORS	26"
NUMBER OF SHELVES	2
NUMBER OF DOORS	1
ASSEMBLED WEIGHT (LBS)	390
CRATED WEIGHT (LBS)	435
REFRIGERANT	R134A
BTU / HOUR	2800
VOLTAGE	115
AMPERE	7
PHASE	1
COMPRESSOR	1/4 HP
SERVICE DISCONNECT	YES

NAV-10-HT-B Specifications

Model NAV-15-HT-B REFRIGERATION UNIT

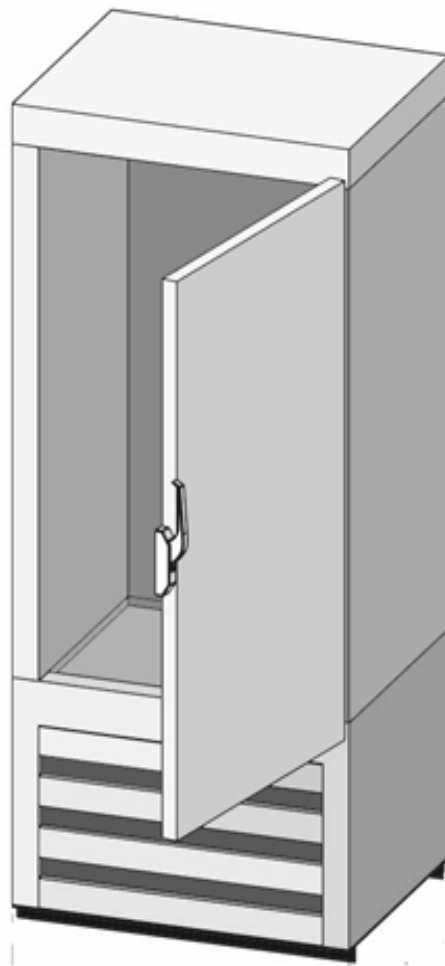


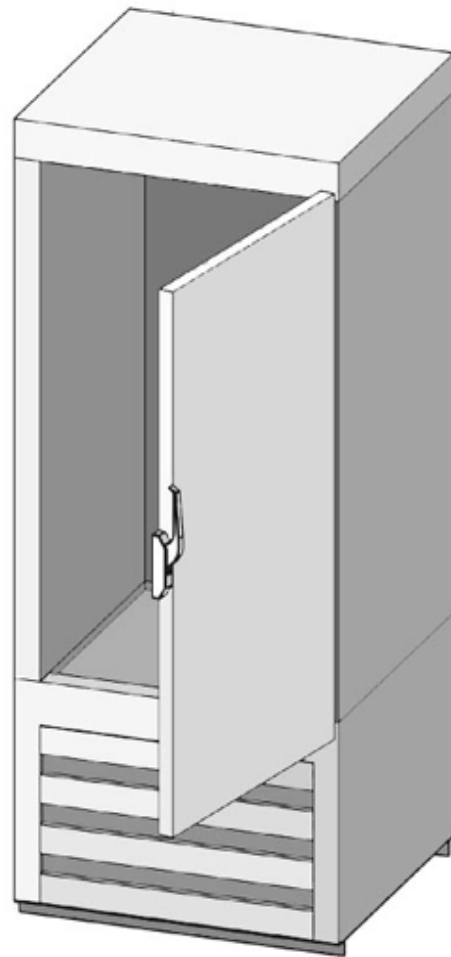
Figure 3 – NAV-15-HT-B Refrigeration Unit

MODEL SPECIFICATIONS

NAV-15-HT-B Refrigeration Unit	
INTERIOR VOLUME (CU.FT)	15
WIDTH	32"
HEIGHT	72"
DEPTH	25"
BODY DEPTH W/DOORS	27"
NUMBER OF SHELVES	4
NUMBER OF DOORS	1
ASSEMBLED WEIGHT (LBS)	475
CRATED WEIGHT (LBS)	510
REFRIGERANT	R134A
BTU / HOUR	3000
VOLTAGE	115
AMPERE	7
PHASE	1
COMPRESSOR	1/3 HP
SERVICE DISCONNECT	YES

NAV-15-HT-B Specifications

Model NAV-20-HT-B REFRIGERATION UNIT



NAV-20-HT-B Refrigeration Unit

MODEL SPECIFICATIONS

NAV-20-HT-B Refrigeration Unit	
INTERIOR VOLUME (CU.FT)	20
WIDTH	32"
HEIGHT	72"
DEPTH	30"
BODY DEPTH W/DOORS	32"
NUMBER OF SHELVES	4
NUMBER OF DOORS	1
ASSEMBLED WEIGHT (LBS)	580
CRATED WEIGHT (LBS)	620
REFRIGERANT	R134A
BTU / HOUR	3800
VOLTAGE	115
AMPERE	6
PHASE	1
COMPRESSOR	1/3 HP
SERVICE DISCONNECT	YES

NAV-20-HT-B Specifications

Model NAV-30-HT-B REFRIGERATION UNIT

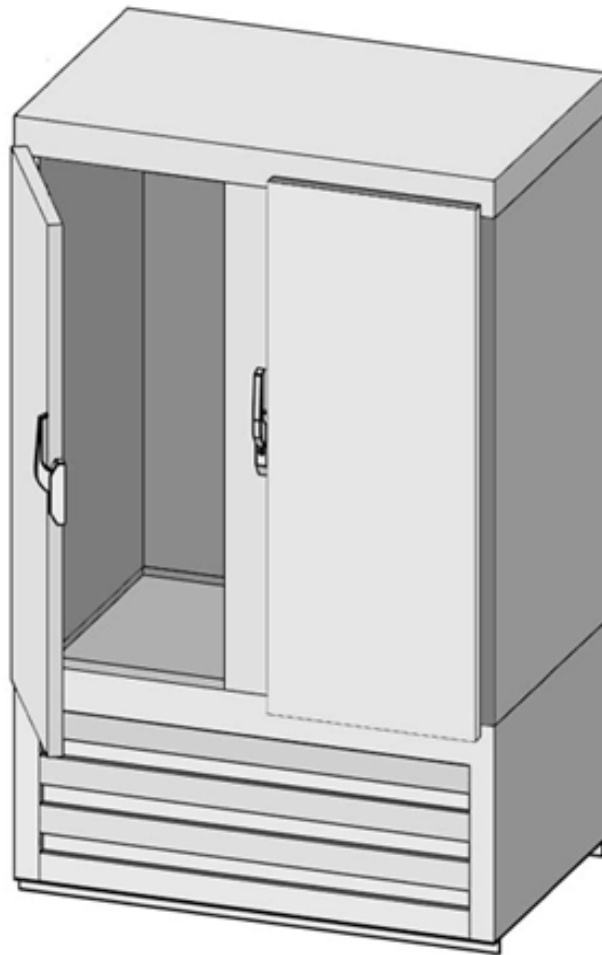


Figure 5 – NAV-30-HT-B Refrigeration Unit

MODEL SPECIFICATIONS

NAV-30-HT-B Refrigeration Unit	
INTERIOR VOLUME (CU.FT)	30
WIDTH	48"
HEIGHT	72"
DEPTH	30"
BODY DEPTH W/DOORS	32"
NUMBER OF SHELVES	6
NUMBER OF DOORS	2
ASSEMBLED WEIGHT (LBS)	610
CRATED WEIGHT (LBS)	720
REFRIGERANT	R134A
BTU / HOUR	4500
VOLTAGE	115
AMPERE	9
PHASE	1
COMPRESSOR	1/2 HP
SERVICE DISCONNECT	YES

NAV-30-HT-B Specifications

Model NAV-40-HT-B REFRIGERATION UNIT

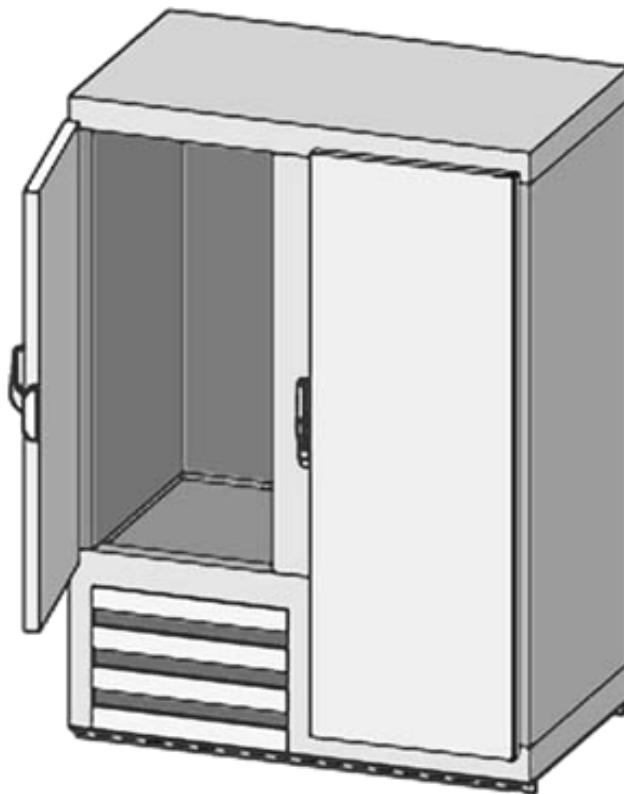


Figure 6 – NAV-40-HT-B Refrigeration Unit

MODEL SPECIFICATIONS

NAV-40-HT-B Refrigeration Unit	
INTERIOR VOLUME (CU.FT)	40
WIDTH	51"
HEIGHT	72"
DEPTH	29"
BODY DEPTH W/DOORS	31"
NUMBER OF SHELVES	7
NUMBER OF DOORS	2
ASSEMBLED WEIGHT (LBS)	625
CRATED WEIGHT (LBS)	740
REFRIGERANT	R134A
BTU / HOUR	6000
VOLTAGE	115
AMPERE	9
PHASE	1
COMPRESSOR	1/2 HP
SERVICE DISCONNECT	YES

NAV-40-HT-B Specifications

Model NAV-50-HT-B REFRIGERATION UNIT

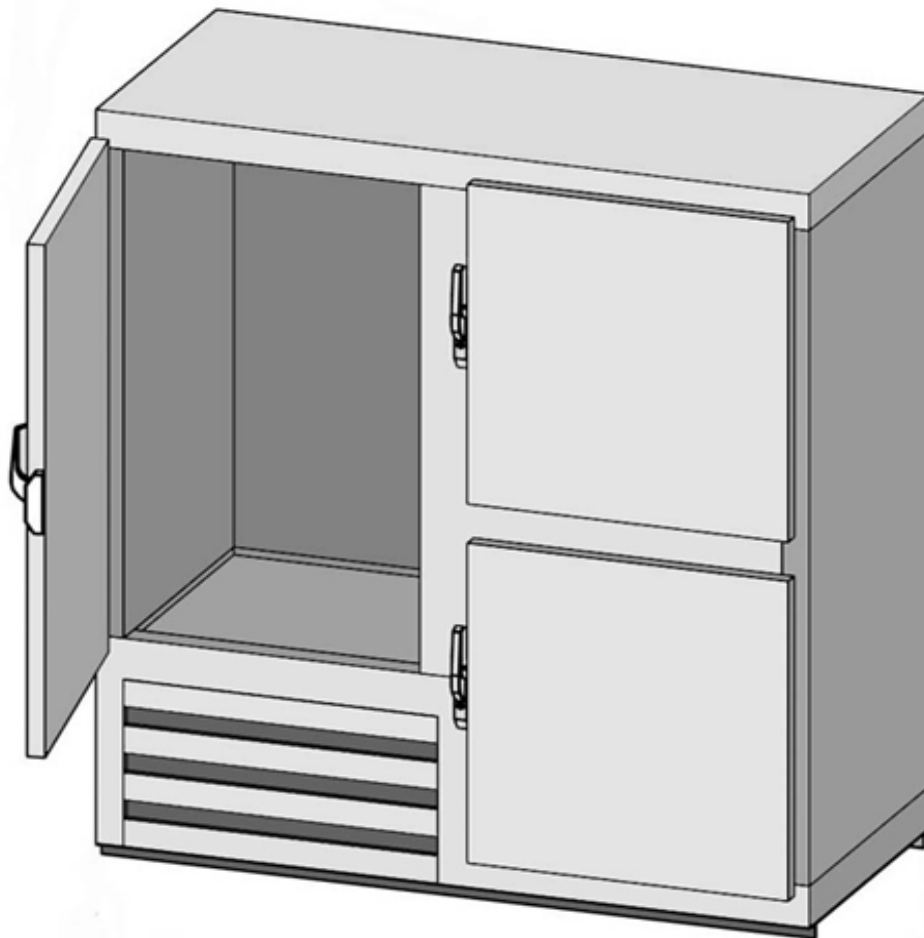


Figure 7 – NAV-50-HT-B Refrigeration Unit

MODEL SPECIFICATIONS

NAV-50-HT-B Refrigeration Unit	
INTERIOR VOLUME (CU.FT)	50
WIDTH	65"
HEIGHT	72"
DEPTH	29"
BODY DEPTH W/DOORS	31"
NUMBER OF SHELVES	7
NUMBER OF DOORS	3
ASSEMBLED WEIGHT (LBS)	700
CRATED WEIGHT (LBS)	840
REFRIGERANT	R134A
BTU / HOUR	6000
VOLTAGE	115
AMPERE	9
PHASE	1
COMPRESSOR	1/2 HP
SERVICE DISCONNECT	YES

NAV-50-HT-B Specifications

Model NAV-65-HT-B REFRIGERATION UNIT

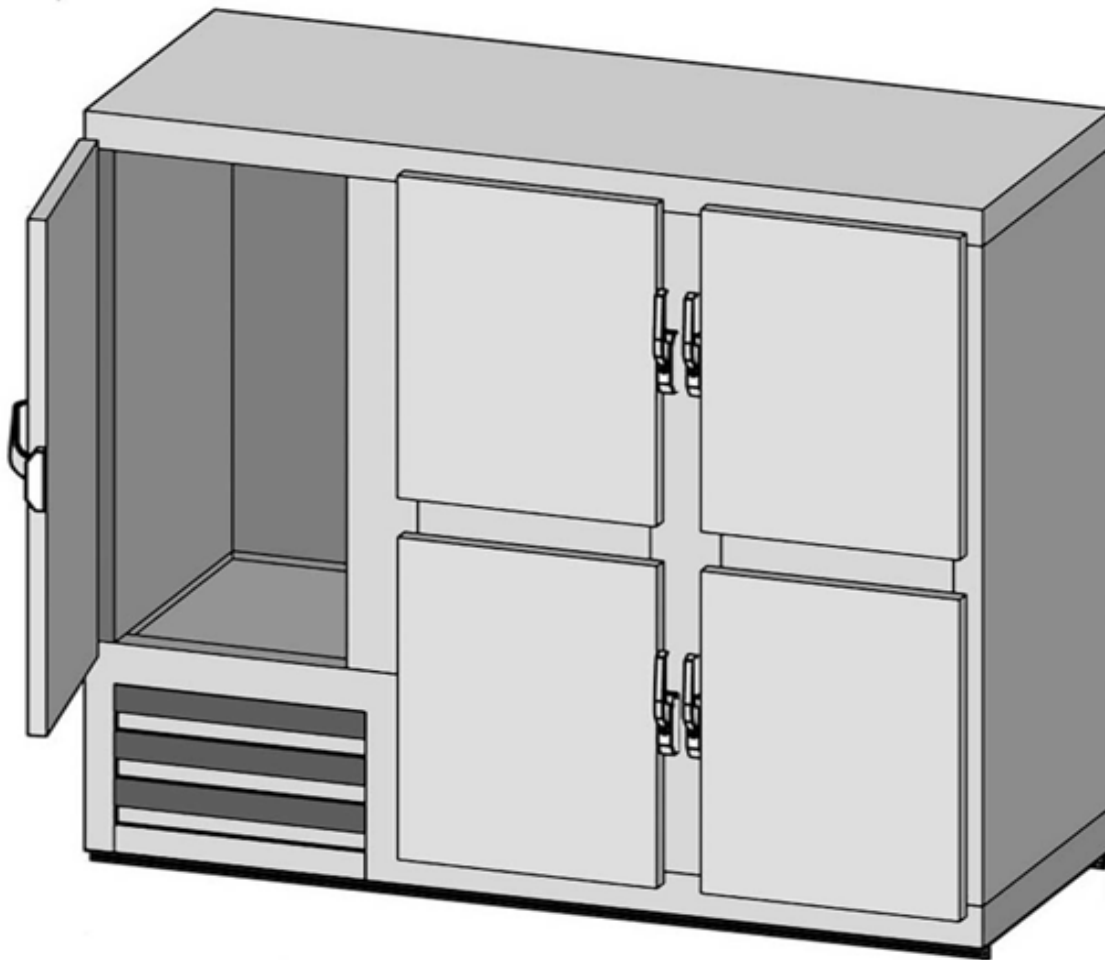


Figure 8 – NAV-65-HT-B Refrigeration Unit

MODEL SPECIFICATIONS

NAV-65-HT-B Refrigeration Unit	
INTERIOR VOLUME (CU.FT)	65
WIDTH	76"
HEIGHT	72"
DEPTH	29"
BODY DEPTH W/DOORS	31"
NUMBER OF SHELVES	11
NUMBER OF DOORS	5
ASSEMBLED WEIGHT (LBS)	780
CRATED WEIGHT (LBS)	920
REFRIGERANT	R134A
BTU / HOUR	7500
VOLTAGE	115
AMPERE	10
PHASE	1
COMPRESSOR	3/4 HP
SERVICE DISCONNECT	YES

NAV-65-HT-B Specifications

Model NAV-75-HT-B REFRIGERATION UNIT

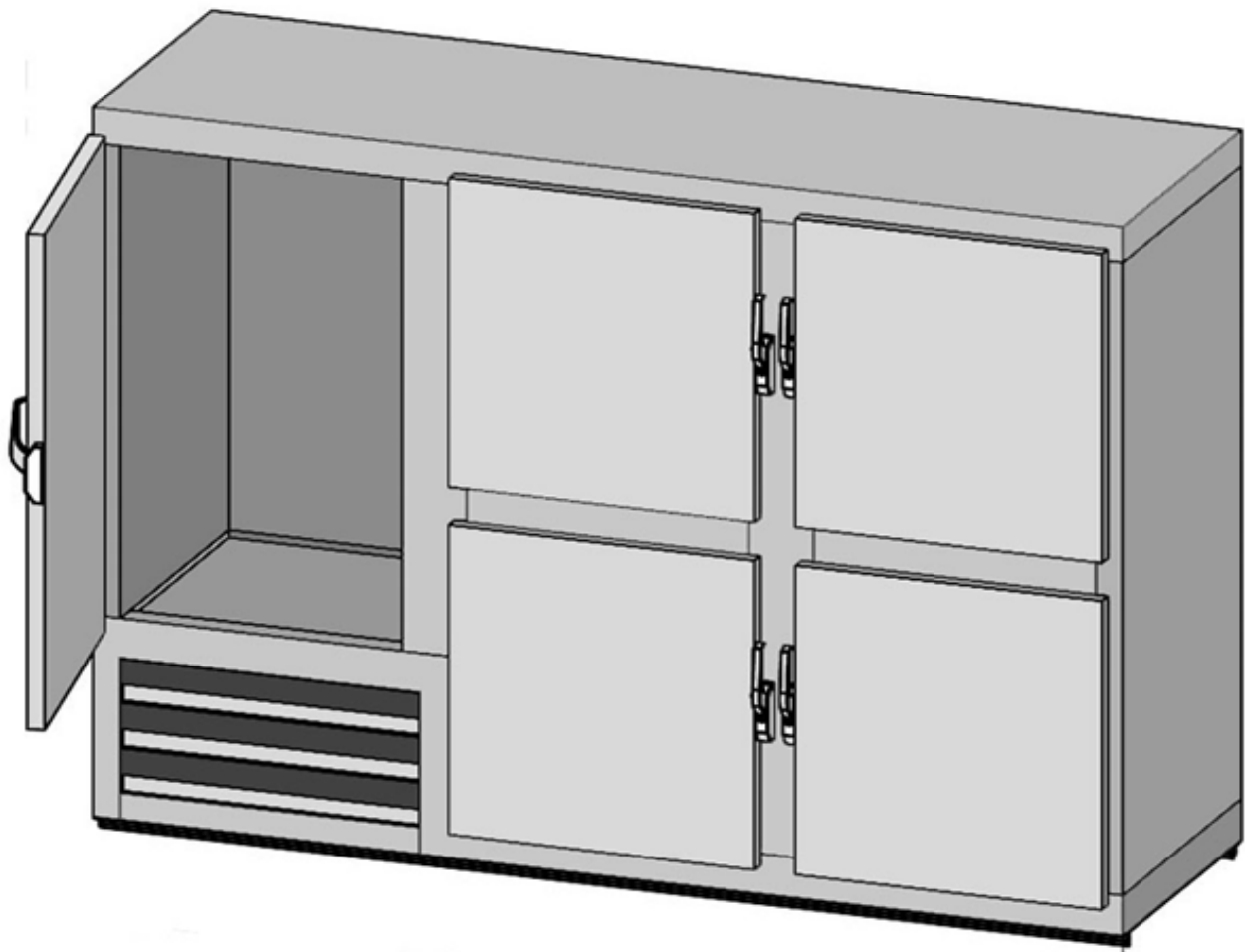


Figure 9 – NAV-75-HT-B Refrigeration Unit

MODEL SPECIFICATIONS

NAV-75-HT-B Refrigeration Unit	
INTERIOR VOLUME (CU.FT)	75
WIDTH	95"
HEIGHT	72"
DEPTH	29"
BODY DEPTH W/DOORS	31"
NUMBER OF SHELVES	11
NUMBER OF DOORS	5
ASSEMBLED WEIGHT (LBS)	880
CRATED WEIGHT (LBS)	1020
REFRIGERANT	R134A
BTU / HOUR	9000
VOLTAGE	115
AMPERE	11
PHASE	1
COMPRESSOR	3/4 HP
SERVICE DISCONNECT	YES

NAV-75-HT-B Specifications

CHAPTER 2

MARINE FREEZERS



MARINE FREEZER FEATURES AND DESCRIPTION

Optional Equipment

- *Modular Design*
- *Aluminum Construction*
- *Digital Thermometer*
- *Spring Assist Hinges*

Construction

- *Heavy gauge stainless steel #304 interior and exterior*
- *Formed in place, CFC Free Urethane insulation, highest R-value*
- *Stainless steel spill proof shelves*
- *2" exterior reading dial thermometer*
- *Extra heavy duty chrome plated hinges*
- *Positive keyed locking handle provides best seal*
- *Interior lighting activated by door switch*
- *Vinyl extruded replacement gaskets*
- *Heavy base frame*

Heavy Duty Refrigeration System

- *Ozone safe R-404A refrigerant*
- *Wrapped refrigeration system*
- *Sealed, condensing unit, air or water cooled with pull out design*
- *Preset temperature controls*
- *Thermostatic expansion valve*

Model NAV-5-LT-B FREEZER UNIT

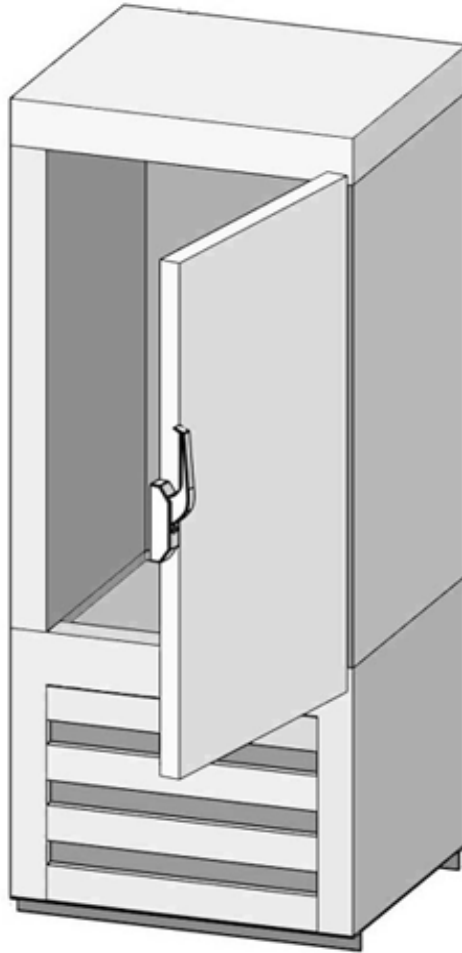


Figure 10 – NAV-5-LT-B Freezer Unit

MODEL SPECIFICATIONS

NAV-5-LT-B Freezer Unit	
INTERIOR VOLUME (CU.FT)	7.5
WIDTH	24"
HEIGHT	61"
DEPTH	21"
BODY DEPTH W/DOORS	23"
NUMBER OF SHELVES	2
NUMBER OF DOORS	1
ASSEMBLED WEIGHT (LBS)	380
CRATED WEIGHT (LBS)	415
REFRIGERANT	R404A
BTU / HOUR	2800
VOLTAGE	115
AMPERE	6
PHASE	1
COMPRESSOR	1/3 HP
SERVICE DISCONNECT	YES

NAV-5-LT-B Specifications

Model NAV-10-LT-B FREEZER UNIT

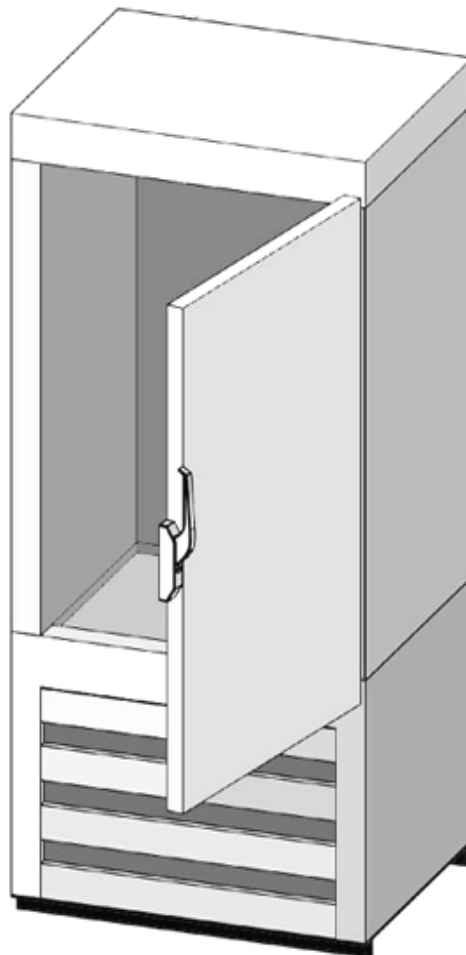


Figure 11 – NAV-10-LT-B Freezer Unit

MODEL SPECIFICATIONS

NAV-10-LT-B Freezer Unit	
INTERIOR VOLUME (CU.FT)	10
WIDTH	30"
HEIGHT	61"
DEPTH	24"
BODY DEPTH W/DOORS	26"
NUMBER OF SHELVES	2
NUMBER OF DOORS	1
ASSEMBLED WEIGHT (LBS)	395
CRATED WEIGHT (LBS)	450
REFRIGERANT	R404A
BTU / HOUR	3200
VOLTAGE	115
AMPERE	8
PHASE	1
COMPRESSOR	1/3 HP
SERVICE DISCONNECT	YES

NAV-10-LT-B Specifications

Model NAV-15-LT-B FREEZER UNIT

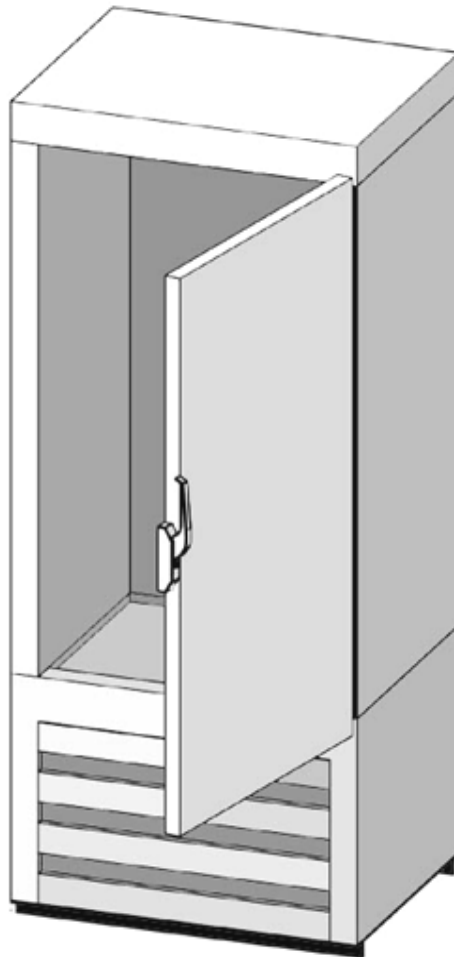


Figure 12 – NAV-15-LT-B Freezer Unit

MODEL SPECIFICATIONS

NAV-15-LT-B Freezer Unit	
INTERIOR VOLUME (CU.FT)	15
WIDTH	32"
HEIGHT	72"
DEPTH	25"
BODY DEPTH W/DOORS	27"
NUMBER OF SHELVES	4
NUMBER OF DOORS	1
ASSEMBLED WEIGHT (LBS)	485
CRATED WEIGHT (LBS)	515
REFRIGERANT	R404A
BTU / HOUR	3200
VOLTAGE	115
AMPERE	9
PHASE	1
COMPRESSOR	1/2 HP
SERVICE DISCONNECT	YES

NAV-15-LT-B Specifications

Model NAV-20-LT-B FREEZER UNIT

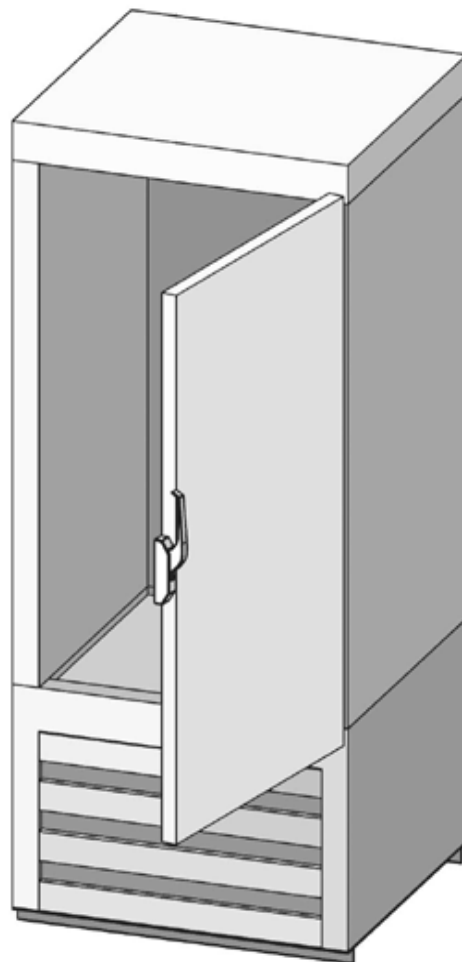


Figure 13 – NAV-20-LT-B Freezer Unit

MODEL SPECIFICATIONS

NAV-20-LT-B Freezer Unit	
INTERIOR VOLUME (CU.FT)	20
WIDTH	32"
HEIGHT	72"
DEPTH	30"
BODY DEPTH W/DOORS	32"
NUMBER OF SHELVES	4
NUMBER OF DOORS	1
ASSEMBLED WEIGHT (LBS)	510
CRATED WEIGHT (LBS)	640
REFRIGERANT	R404A
BTU / HOUR	5200
VOLTAGE	115
AMPERE	9
PHASE	1
COMPRESSOR	1/2 HP
SERVICE DISCONNECT	YES

NAV-20-LT-B Specifications

Model NAV-30-LT-B FREEZER UNIT

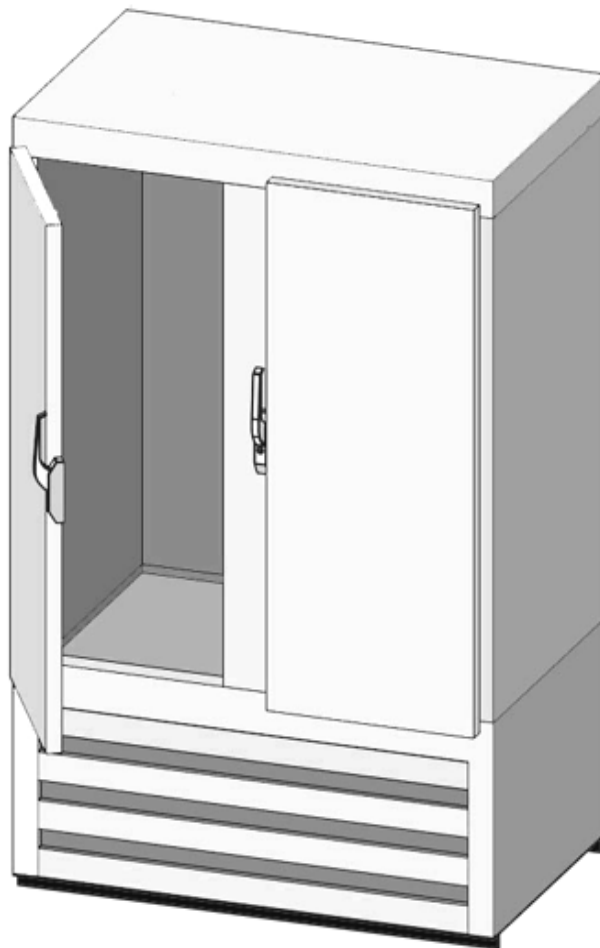


Figure 14 – NAV-30-LT-B Freezer Unit

MODEL SPECIFICATIONS

NAV-30-LT-B Freezer Unit	
INTERIOR VOLUME (CU.FT)	30
WIDTH	48"
HEIGHT	72"
DEPTH	30"
BODY DEPTH W/DOORS	32"
NUMBER OF SHELVES	6
NUMBER OF DOORS	2
ASSEMBLED WEIGHT (LBS)	525
CRATED WEIGHT (LBS)	650
REFRIGERANT	R404A
BTU / HOUR	5800
VOLTAGE	115
AMPERE	11
PHASE	1
COMPRESSOR	3/4 HP
SERVICE DISCONNECT	YES

NAV-30-LT-B Specifications

Model NAV-40-LT-B FREEZER UNIT

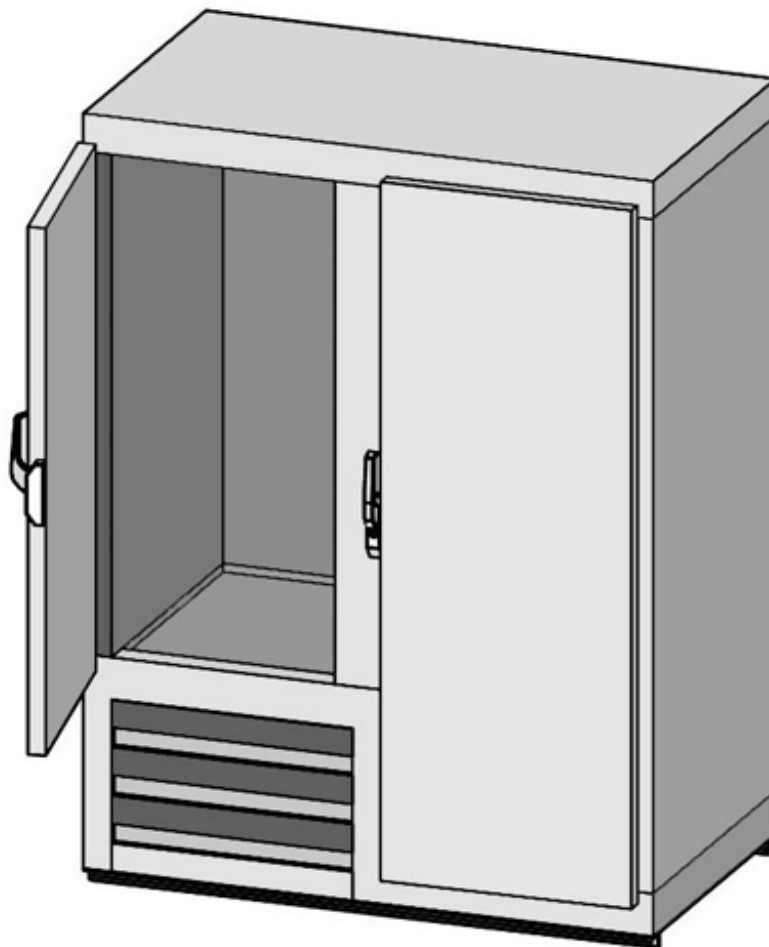


Figure 15 – NAV-40-LT-B Freezer Unit

MODEL SPECIFICATIONS

NAV-40-LT-B Freezer Unit	
INTERIOR VOLUME (CU.FT)	40
WIDTH	51"
HEIGHT	72"
DEPTH	29"
BODY DEPTH W/DOORS	31"
NUMBER OF SHELVES	7
NUMBER OF DOORS	2
ASSEMBLED WEIGHT (LBS)	580
CRATED WEIGHT (LBS)	700
REFRIGERANT	R404A
BTU / HOUR	7500
VOLTAGE	115
AMPERE	10
PHASE	1
COMPRESSOR	1/2 HP
SERVICE DISCONNECT	YES

NAV-40-LT-B Specifications

Model NAV-50-LT-B FREEZER UNIT

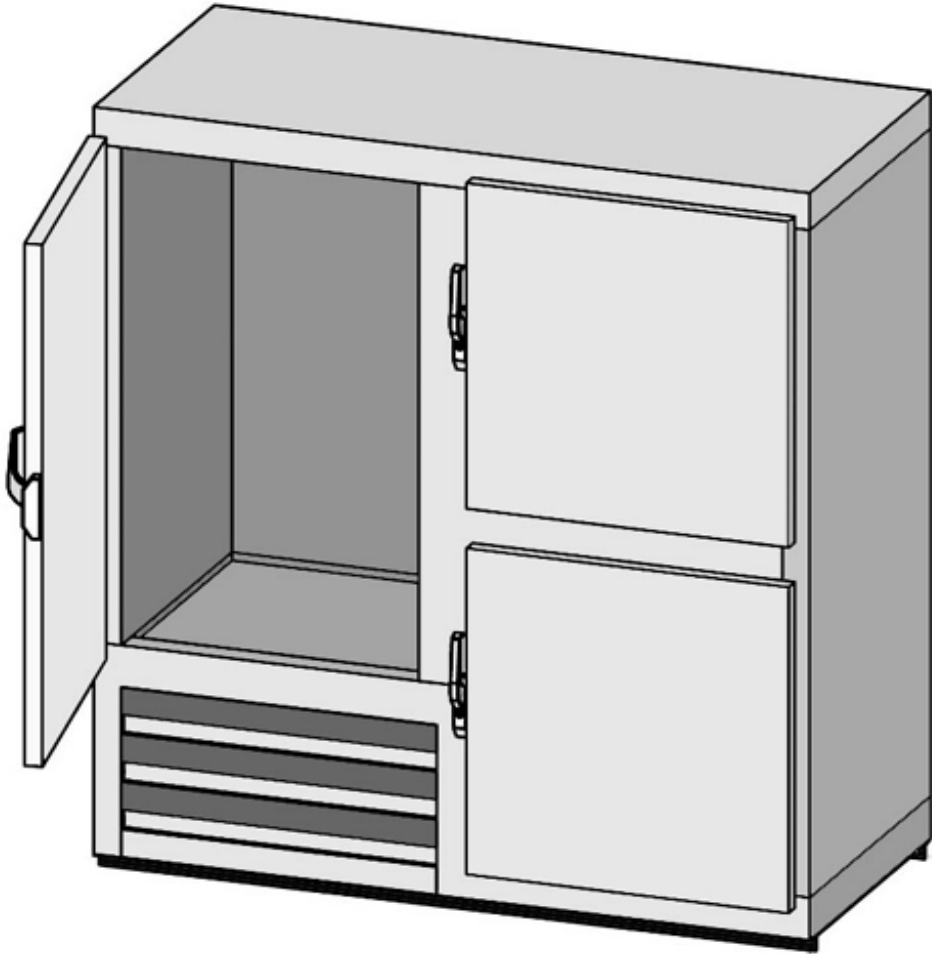


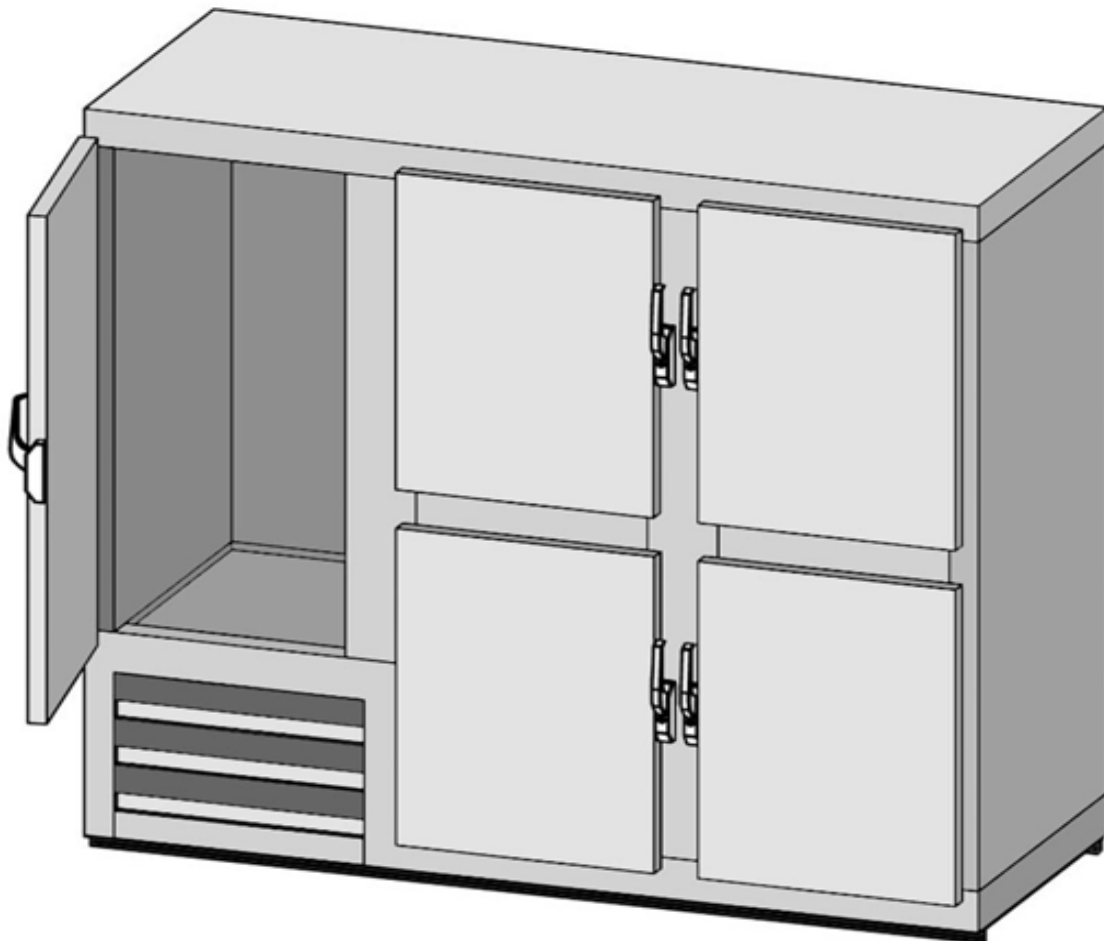
Figure 16 – NAV-50-LT-B Freezer Unit

MODEL SPECIFICATIONS

NAV-50-LT-B Freezer Unit	
INTERIOR VOLUME (CU.FT)	50
WIDTH	65"
HEIGHT	72"
DEPTH	29"
BODY DEPTH W/DOORS	31"
NUMBER OF SHELVES	7
NUMBER OF DOORS	3
ASSEMBLED WEIGHT (LBS)	640
CRATED WEIGHT (LBS)	750
REFRIGERANT	R404A
BTU / HOUR	6500
VOLTAGE	115
AMPERE	11
PHASE	1
COMPRESSOR	3/4 HP
SERVICE DISCONNECT	YES

NAV-50-LT-B Specifications

Model NAV-65-LT-B FREEZER UNIT



NAV-65-LT-B Freezer Unit

MODEL SPECIFICATIONS

NAV-65-LT-B Freezer Unit	
INTERIOR VOLUME (CU.FT)	65
WIDTH	76"
HEIGHT	72"
DEPTH	29"
BODY DEPTH W/DOORS	31"
NUMBER OF SHELVES	11
NUMBER OF DOORS	5
ASSEMBLED WEIGHT (LBS)	685
CRATED WEIGHT (LBS)	805
REFRIGERANT	R404A
BTU / HOUR	7500
VOLTAGE	115
AMPERE	11
PHASE	1
COMPRESSOR	3/4 HP
SERVICE DISCONNECT	YES

NAV-65-LT-B Specifications

**Model NAV-75-LT-B
FREEZER UNIT**

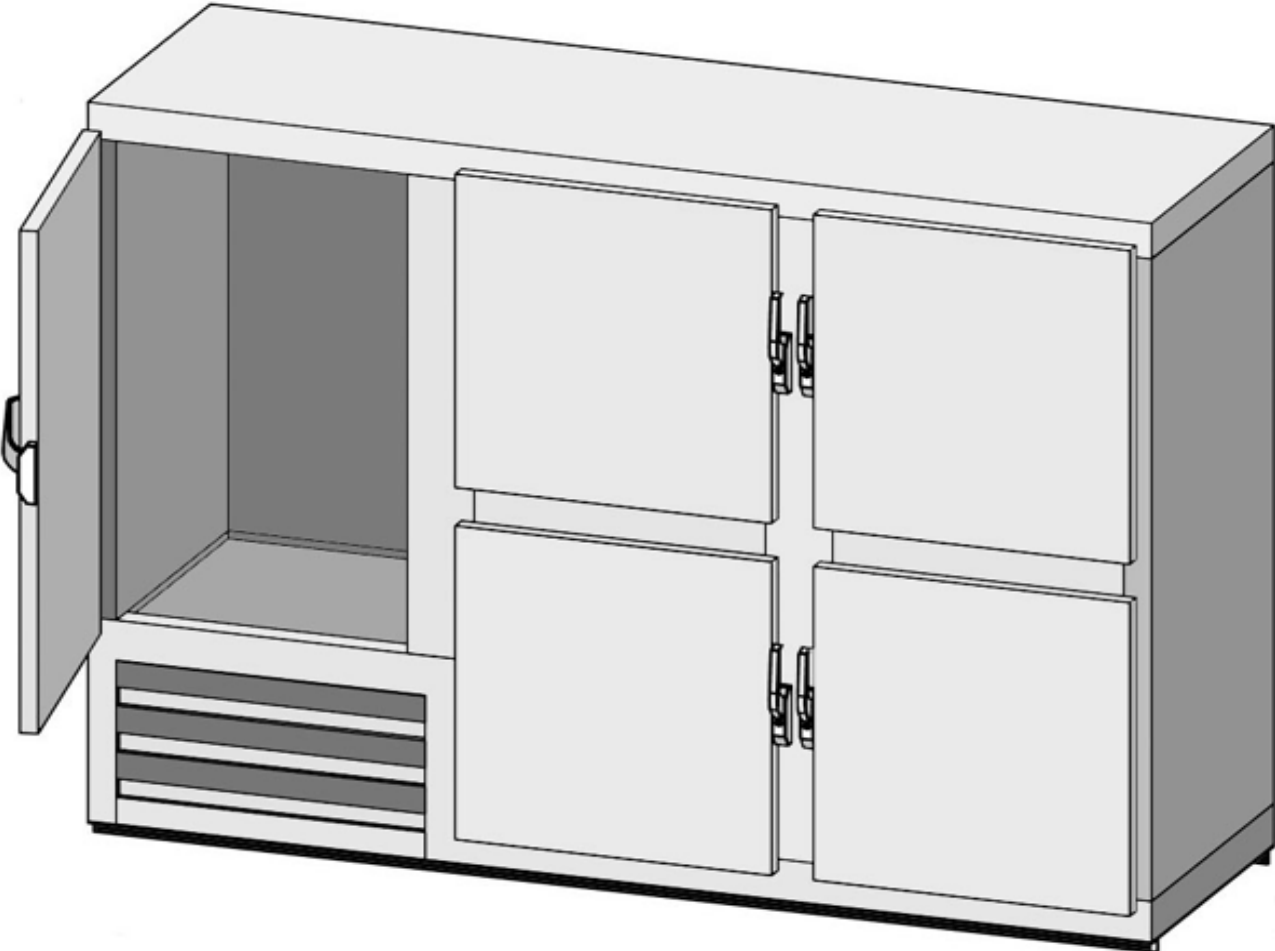


Figure 18 – NAV-75-LT-B Freezer Unit

MODEL SPECIFICATIONS

NAV-75-LT-B Freezer Unit	
INTERIOR VOLUME (CU.FT)	75
WIDTH	95"
HEIGHT	72"
DEPTH	29"
BODY DEPTH W/DOORS	31"
NUMBER OF SHELVES	11
NUMBER OF DOORS	5
ASSEMBLED WEIGHT (LBS)	780
CRATED WEIGHT (LBS)	920
REFRIGERANT	R404A
BTU / HOUR	11000
VOLTAGE	115
AMPERE	13
PHASE	1
COMPRESSOR	3/4 HP
SERVICE DISCONNECT	YES

NAV-75-LT-B Specifications

CHAPTER 3

MARINE REFRIGERATORS/FREEZERS



MARINE REFRIGERATORS/FREEZERS

Optional Equipment

- *Modular Design*
- *Aluminum Construction*
- *Digital Thermometer*
- *Spring Assist Hinges*

Construction

- *Heavy gauge stainless steel #304 interior and exterior*
- *Formed in place, CFC free urethane insulation, highest R-value*
- *Stainless steel spill proof shelves*
- *2" exterior reading dial thermometer*
- *Extra heavy duty chrome plated hinges*
- *Positive keyed locking handle provides best seal.*
- *Interior lighting in refrigerator compartment only*
- *Vinyl extruded replacement gaskets*
- *Heavy base frame*

Heavy Duty Refrigeration System

- *Ozone safe R-134A and R-404A refrigerator*
- *Wrapped refrigeration system*
- *Sealed, condensing unit, air or water cooled with pull out design*
- *Preset temperature controls thermostatic expansion valve*

Model NAV-3-6-HLT-B REFRIGERATOR/FREEZER UNIT

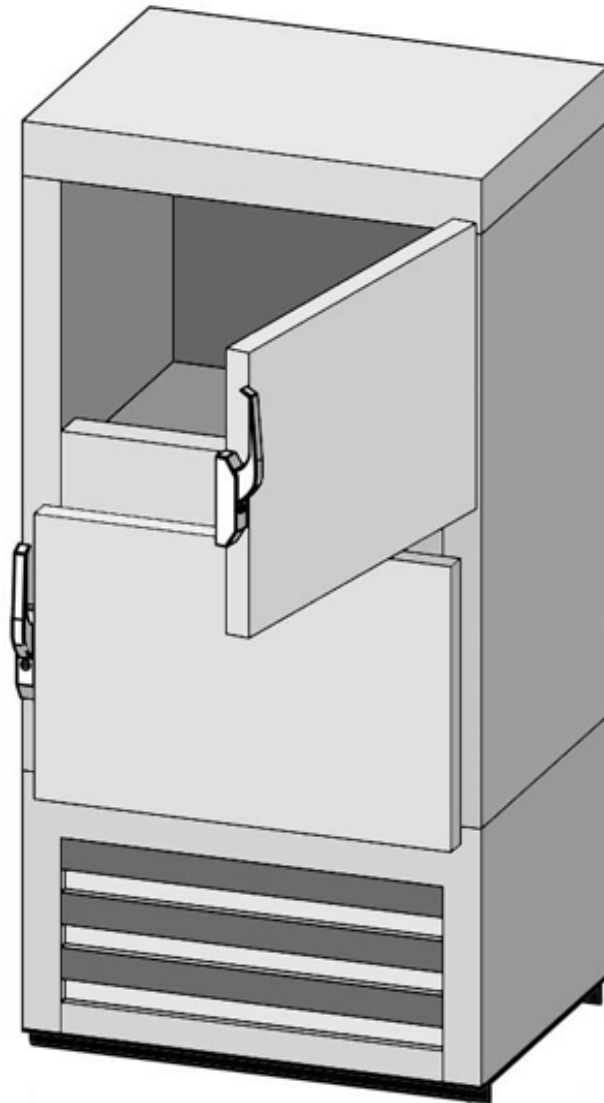


Figure 19 – NAV-3-6-T-B Refrigerator/Freezer Unit

MODEL SPECIFICATIONS

NAV-3-6-HLT-B Refrigerator/Freezer Unit	REF	FRE
INTERIOR VOLUME (CU.FT)	6	3
WIDTH	30"	-
HEIGHT	60"	-
DEPTH	22"	-
BODY DEPTH W/DOORS	24"	24"
NUMBER OF SHELVES	2	1
NUMBER OF DOORS	1	1
ASSEMBLED WEIGHT (LBS)	450	-
CRATED WEIGHT (LBS)	570	-
REFRIGERANT	R134A	R404A
BTU / HOUR	3000	4200
VOLTAGE	115	115
AMPERE	6	7
PHASE	1	1
COMPRESSOR	1/4 HP	1/3 HP
SERVICE DISCONNECT	YES	YES

NAV-3-6-HLT-B Specifications

Model NAV-6-14-HLT-B REFRIGERATOR/FREEZER UNIT

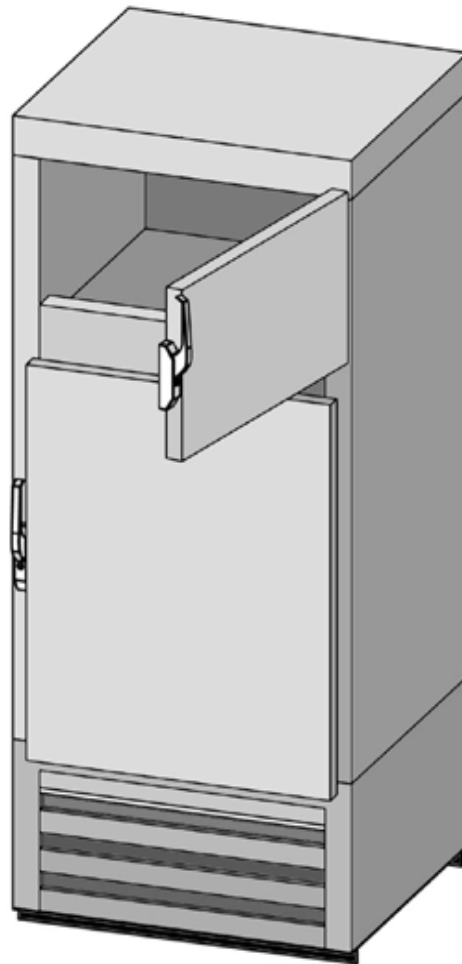


Figure 20 – NAV-6-14-HLT-B Refrigerator/Freezer Unit

MODEL SPECIFICATIONS

NAV-6-14-HLT-B Refrigerator/Freezer Unit	REF	FRE
INTERIOR VOLUME (CU.FT)	14	6
WIDTH	32"	-
HEIGHT	72"	-
DEPTH	29"	-
BODY DEPTH W/DOORS	31"	-
NUMBER OF SHELVES	4	4
NUMBER OF DOORS	1	1
ASSEMBLED WEIGHT (LBS)	575	-
CRATED WEIGHT (LBS)	695	-
REFRIGERANT	R134A	R404A
BTU / HOUR	2500	3000
VOLTAGE	115	115
AMPERE	6	8
PHASE	1	1
COMPRESSOR	1/4 HP	1/3 HP
SERVICE DISCONNECT	YES	YES

NAV-6-14-HLT-B Specifications

Model NAV-10-10-HLT-B REFRIGERATOR/FREEZER UNIT

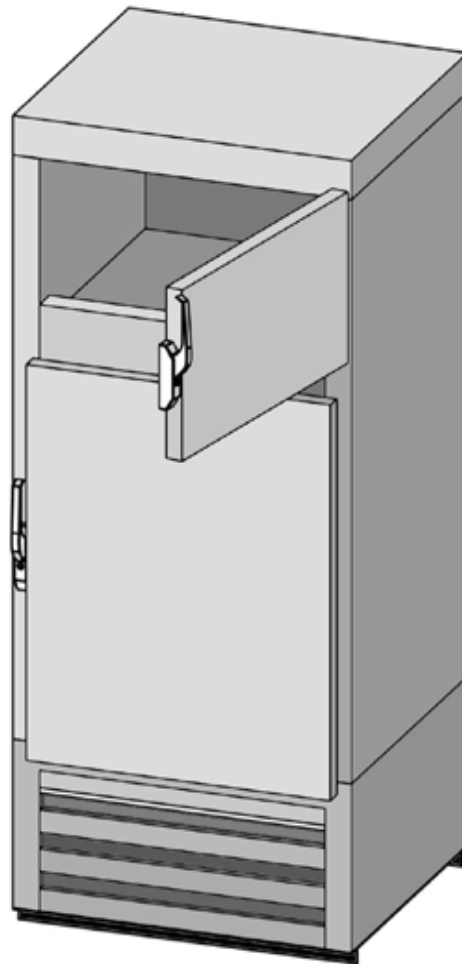


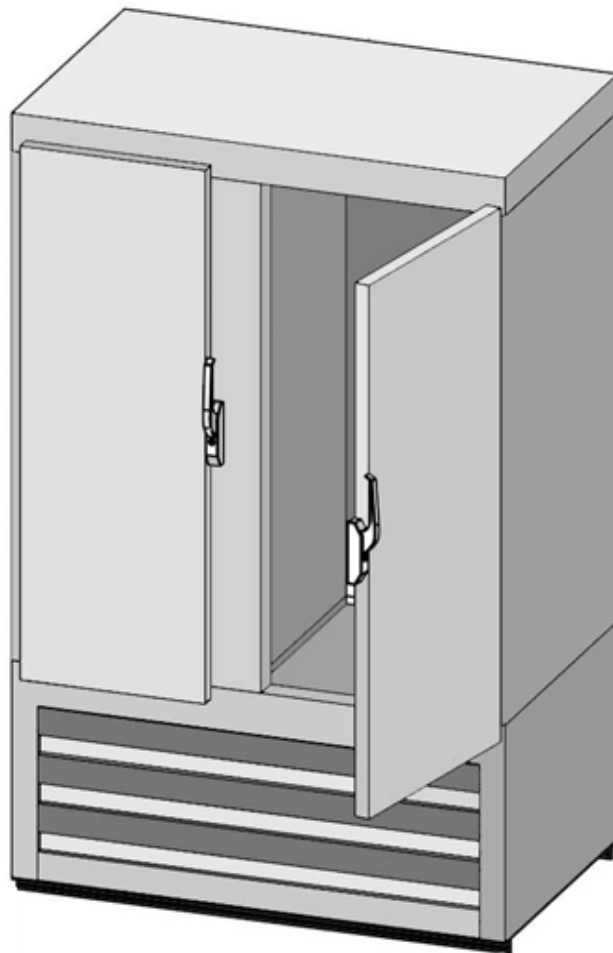
Figure 21 – NAV-10-10-HLT-B Refrigerator/Freezer Unit

MODEL SPECIFICATIONS

NAV-10-10-HLT-B Refrigerator/Freezer Unit	REF	FRE
INTERIOR VOLUME (CU.FT)	10	10
WIDTH	32"	32"
HEIGHT	72"	72"
DEPTH	29"	29"
BODY DEPTH W/DOORS	31"	31"
NUMBER OF SHELVES	2	1
NUMBER OF DOORS	1	1
ASSEMBLED WEIGHT (LBS)	610	-
CRATED WEIGHT (LBS)	740	-
REFRIGERANT	R134A	R404A
BTU / HOUR	2800	3500
VOLTAGE	115	115
AMPERE	7	8
PHASE	1	1
COMPRESSOR	1/4 HP	1/3 HP
SERVICE DISCONNECT	YES	YES

NAV-10-10-HLT-B Specifications

Model NAV-13-17-HLT-B REFRIGERATOR/FREEZER UNIT



NAV-13-17-HLT-B Refrigerator/Freezer Unit

MODEL SPECIFICATIONS

NAV-13-17-HLT-B Refrigerator/Freezer Unit	REF	FRE
INTERIOR VOLUME (CU.FT)	17	13
WIDTH	-	48"
HEIGHT	-	72"
DEPTH	-	29"
BODY DEPTH W/DOORS	-	31"
NUMBER OF SHELVES	3	3
NUMBER OF DOORS	1	1
ASSEMBLED WEIGHT (LBS)	-	675
CRATED WEIGHT (LBS)	-	795
REFRIGERANT	R134A	R404A
BTU / HOUR	6000	4500
VOLTAGE	115	115
AMPERE	8	7
PHASE	1	1
COMPRESSOR	1/2 HP	1/3 HP
SERVICE DISCONNECT	YES	YES

NAV-13-17-HLT-B Specifications

Model NAV-17-20-HLT-B REFRIGERATOR/FREEZER UNIT

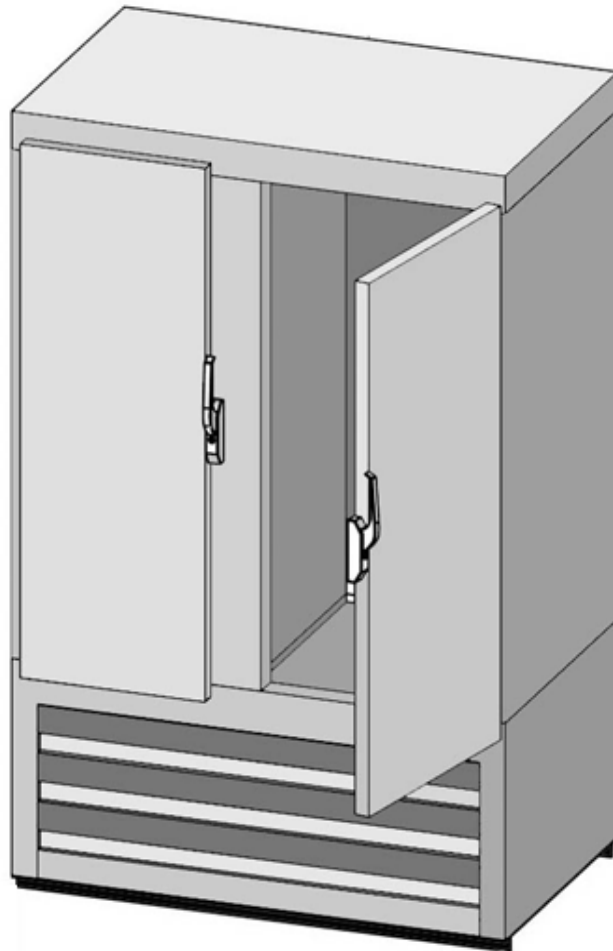


Figure 23 – NAV-17-20-HLT-B Refrigerator/Freezer Unit

MODEL SPECIFICATIONS

NAV-17-20-HLT-B Refrigerator/Freezer Unit	REF	FRE
INTERIOR VOLUME (CU.FT)	20	17
WIDTH	58"	-
HEIGHT	72"	-
DEPTH	29"	-
BODY DEPTH W/DOORS	31"	-
NUMBER OF SHELVES	4	4
NUMBER OF DOORS	1	1
ASSEMBLED WEIGHT (LBS)	750	-
CRATED WEIGHT (LBS)	870	-
REFRIGERANT	R134A	R404A
BTU / HOUR	7500	5000
VOLTAGE	115	115
AMPERE	8.5	6
PHASE	1	1
COMPRESSOR	3/4 HP	1/2 HP
SERVICE DISCONNECT	YES	YES

NAV-17-20-HLT-B Specifications

CHAPTER 4

MARINE COLD FOOD COUNTERS



MARINE COLD FOOD COUNTERS

Optional Equipment

- *Modular Design*
- *Upper Display Unit*
- *Aluminum Construction*
- *Digital Thermometer*
- *Spring Assist Hinges*

Construction

- *Heavy gauge stainless steel #304 interior and exterior*
- *Formed in place, CFC Free Urethane insulation, highest R-value*
- *Stainless steel spill proof shelves*
- *Stainless steel removable louver panel*
- *2" exterior reading dial thermometer*
- *Extra heavy duty chrome plated hinges*
- *Positive keyed locking handle provides best seal*
- *Interior lighting activated by door opening*
- *Vinyl extruded replacement gaskets*
- *Stainless steel footed leg*

Heavy Duty Refrigeration System

- *Ozone safe R-134A refrigerant*
- *Wrapped refrigeration system*
- *Sealed, condensing unit, air or water cooled with pull out design*
- *Preset temperature controls*
- *Thermostatic expansion valve*

Model NAV-3-HT-BC-2 MARINE COLD FOOD COUNTERS

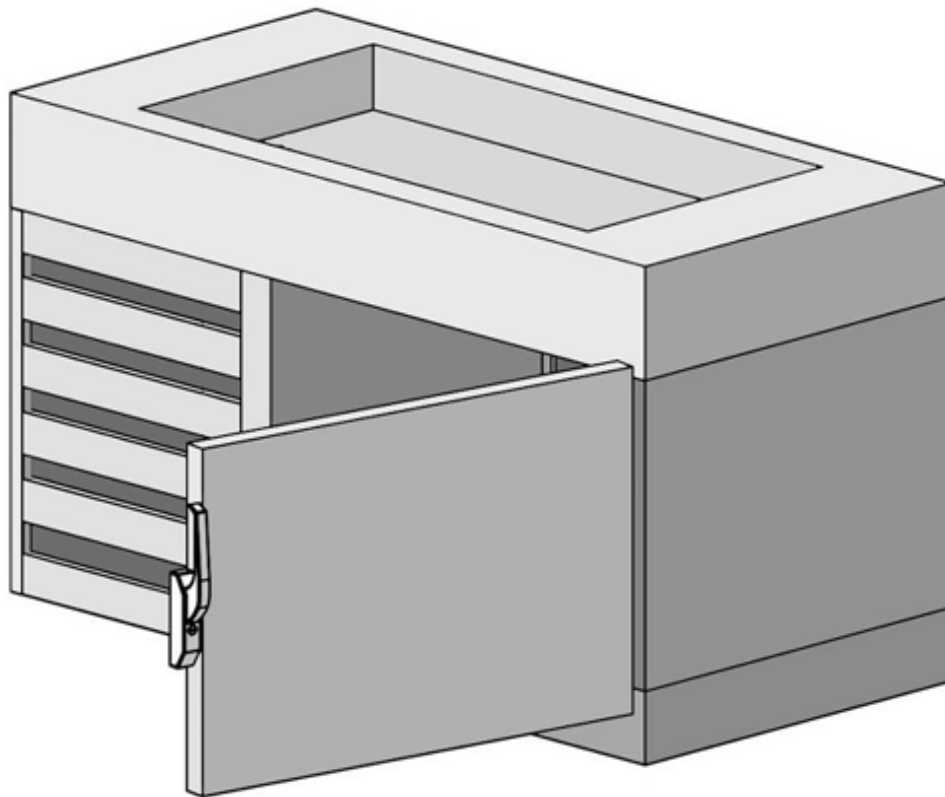


Figure 24 – NAV-3-HT-BC-2 Marine Cold Food Counter Unit

MODEL SPECIFICATIONS

NAV-3-HT-BC-2 Cold Food Counter Unit	
INTERIOR VOLUME (CU.FT)	7
WIDTH	54"
HEIGHT	31"
DEPTH	26"
BODY DEPTH W/DOORS	28"
NUMBER OF SHELVES	1
NUMBER OF DOORS	1
ASSEMBLED WEIGHT (LBS)	350
CRATED WEIGHT (LBS)	475
REFRIGERANT	R134A
BTU / HOUR	3000
VOLTAGE	115
AMPERE	7
PHASE	1
COMPRESSOR	1/3 HP
SERVICE DISCONNECT	YES

NAV-3-HT-BC-2 Specifications

Model NAV-4-HT-BC-2 MARINE COLD FOOD COUNTERS

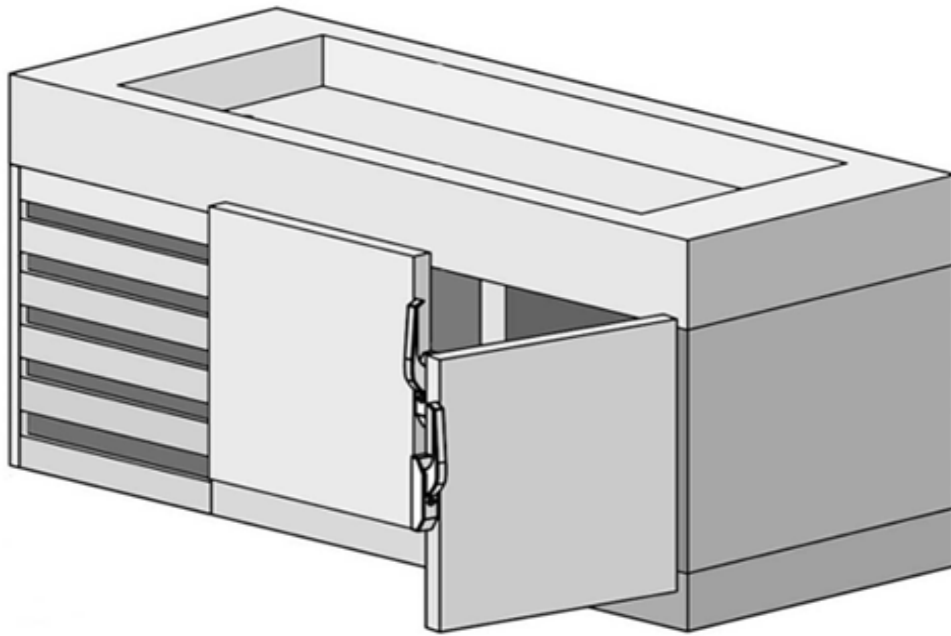


Figure 25 – NAV-4-HT-BC-2 Marine Cold Food Counter Unit

MODEL SPECIFICATIONS

NAV-4-HT-BC-2 Cold Food Counter Unit	
INTERIOR VOLUME (CU.FT)	10
WIDTH	66"
HEIGHT	31"
DEPTH	26"
BODY DEPTH W/DOORS	28"
NUMBER OF SHELVES	1
NUMBER OF DOORS	2
ASSEMBLED WEIGHT (LBS)	375
CRATED WEIGHT (LBS)	480
REFRIGERANT	R134A
BTU / HOUR	4000
VOLTAGE	115
AMPERE	7
PHASE	1
COMPRESSOR	1/3 HP
SERVICE DISCONNECT	YES

NAV-4-HT-BC-2 Specifications

Model NAV-5-HT-BC-2 MARINE COLD FOOD COUNTERS

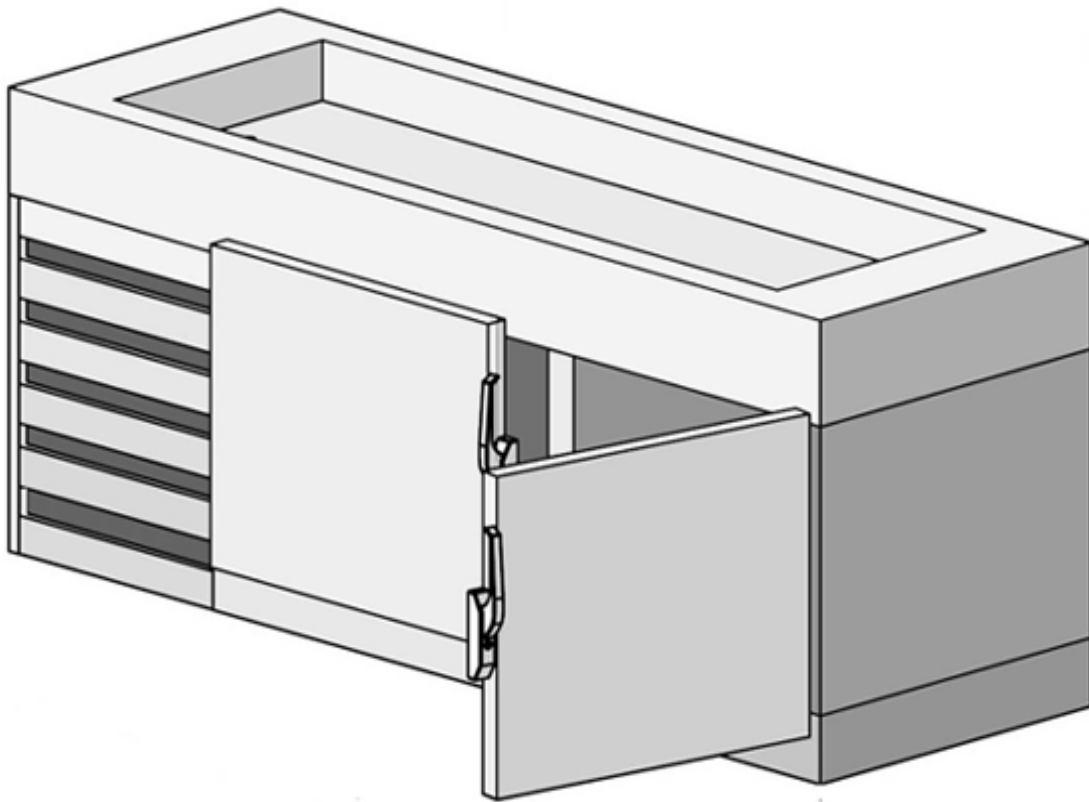


Figure 26 – NAV-5-HT-BC-2 Marine Cold Food Counter Unit

MODEL SPECIFICATIONS

NAV-5-HT-BC-2 Cold Food Counter Unit	
INTERIOR VOLUME (CU.FT)	15
WIDTH	78"
HEIGHT	31"
DEPTH	26"
BODY DEPTH W/DOORS	28"
NUMBER OF SHELVES	2
NUMBER OF DOORS	2
ASSEMBLED WEIGHT (LBS)	475
CRATED WEIGHT (LBS)	610
REFRIGERANT	R134A
BTU / HOUR	4000
VOLTAGE	115
AMPERE	8
PHASE	1
COMPRESSOR	1/3 HP
SERVICE DISCONNECT	YES

NAV-5-HT-BC-2 Specifications

Model NAV-6-HT-BC-2 MARINE COLD FOOD COUNTERS

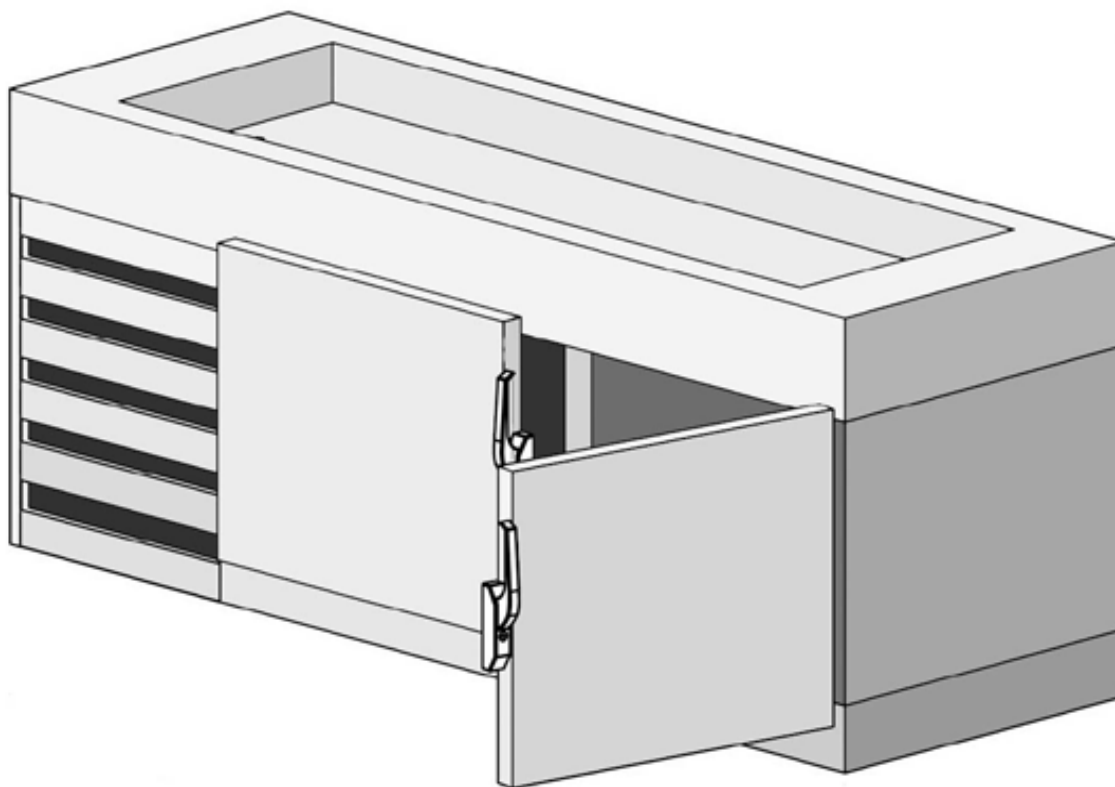


Figure 27 – NAV-6-HT-BC-2 Marine Cold Food Counter Unit

MODEL SPECIFICATIONS

NAV-6-HT-BC-2 Cold Food Counter Unit	
INTERIOR VOLUME (CU.FT)	16
WIDTH	90"
HEIGHT	31"
DEPTH	26"
BODY DEPTH W/DOORS	28"
NUMBER OF SHELVES	2
NUMBER OF DOORS	2
ASSEMBLED WEIGHT (LBS)	610
CRATED WEIGHT (LBS)	740
REFRIGERANT	R134A
BTU / HOUR	5500
VOLTAGE	115
AMPERE	7
PHASE	1
COMPRESSOR	1/2 HP
SERVICE DISCONNECT	YES

NAV-6-HT-BC-2 Specifications

Model NAV-8-HT-BC-2 MARINE COLD FOOD COUNTERS

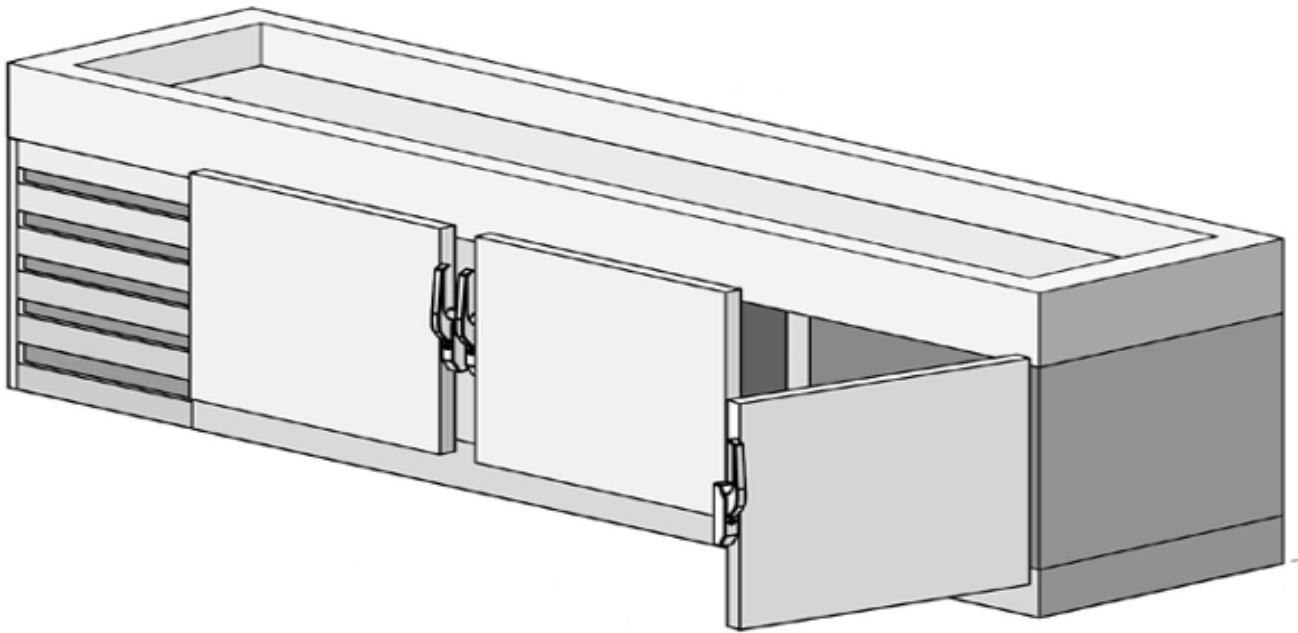


Figure 28 – NAV-8-HT-BC-2 Marine Cold Food Counter Unit

MODEL SPECIFICATIONS

NAV-8-HT-BC-2 Cold Food Counter Unit	
INTERIOR VOLUME (CU.FT)	17
WIDTH	110"
HEIGHT	31"
DEPTH	26"
BODY DEPTH W/DOORS	28"
NUMBER OF SHELVES	3
NUMBER OF DOORS	3
ASSEMBLED WEIGHT (LBS)	750
CRATED WEIGHT (LBS)	930
REFRIGERANT	R134A
BTU / HOUR	6500
VOLTAGE	115
AMPERE	9
PHASE	1
COMPRESSOR	1/2 HP
SERVICE DISCONNECT	YES

NAV-6-HT-BC-2 Specifications

CHAPTER 5

MARINE UNDER COUNTER FREEZERS



MARINE UNDER COUNTER FREEZERS

Optional Equipment

- *Modular Design*
- *Aluminum Construction*
- *Digital Thermometer*
- *Spring Assist Hinges*

Construction

- *Reinforced #304 stainless steel top, 11 gauge sub-top*
- *Formed in place, CFC free urethane insulation, highest R-value*
- *Stainless steel spill proof shelves adjustable on ½" centers*
- *Stainless steel louver panel (allows intake & discharge of air from front of cabinet)*
- *2" exterior dial thermometer*
- *Extra heavy duty chrome plated hinges*
- *Positive keyed locking handle provides best seal.*
- *Vinyl extruded replacement gaskets*
- *Stainless steel footed leg*

Heavy Duty Refrigeration Unit

- *Ozone safe R-404A refrigerator*
- *Wrapped refrigeration system*
- *Sealed, condensing unit, air or water cooled with pull out design*
- *Preset temperature controls thermostatic expansion valve*
- *Thermostatic expansion valve*

Model NAV-5-LT-CT MARINE UNDER COUNTER FREEZER

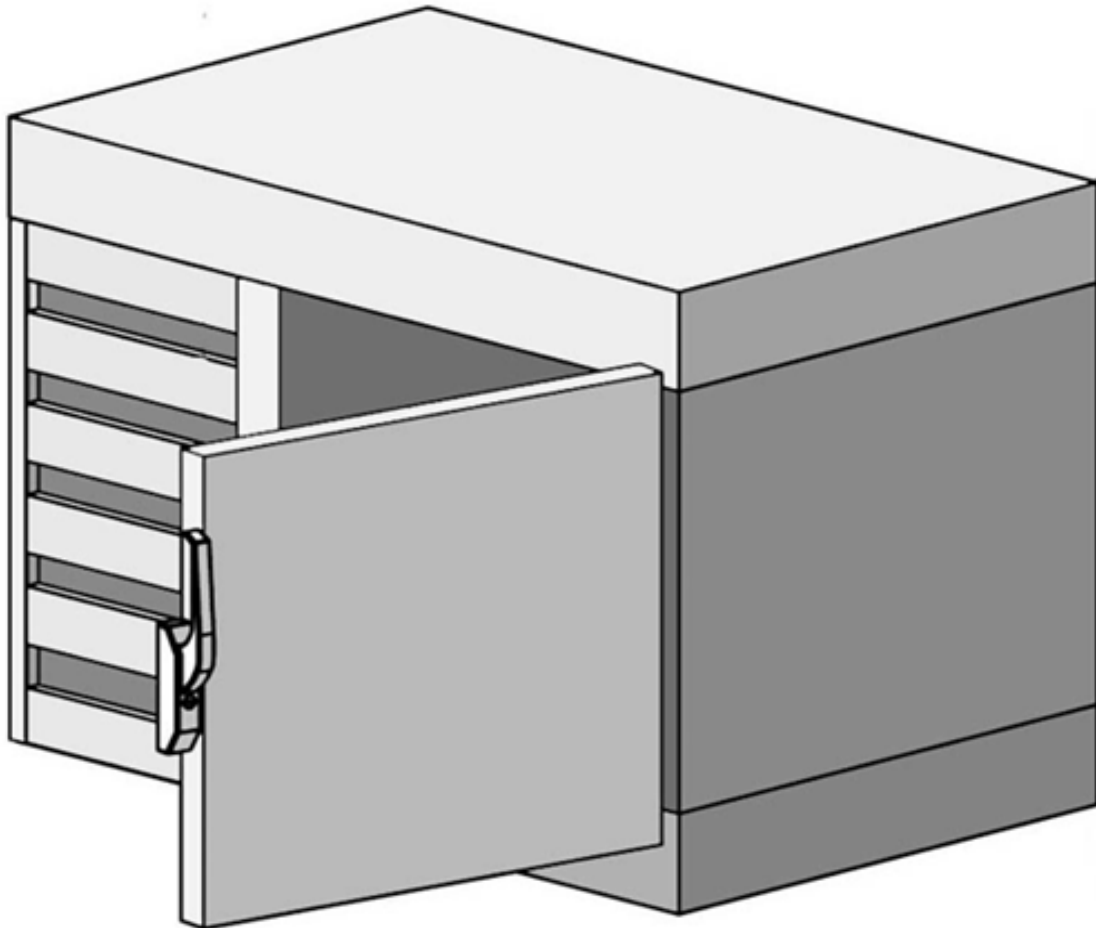


Figure 29 – NAV-5-LT-CT Marine Under Counter Freezer Unit

MODEL SPECIFICATIONS

NAV-5-LT-CT Under Counter Freezer Unit	
INTERIOR VOLUME (CU.FT)	5
WIDTH	40"
HEIGHT	28"
DEPTH	25"
BODY DEPTH W/DOORS	27"
NUMBER OF SHELVES	1
NUMBER OF DOORS	1
ASSEMBLED WEIGHT (LBS)	275
CRATED WEIGHT (LBS)	390
REFRIGERANT	R404A
BTU / HOUR	2000
VOLTAGE	115
AMPERE	7
PHASE	1
COMPRESSOR	1/3 HP
SERVICE DISCONNECT	YES

NAV-5-LT-CT Specifications

Model NAV-10-LT-CT MARINE UNDER COUNTER FREEZER

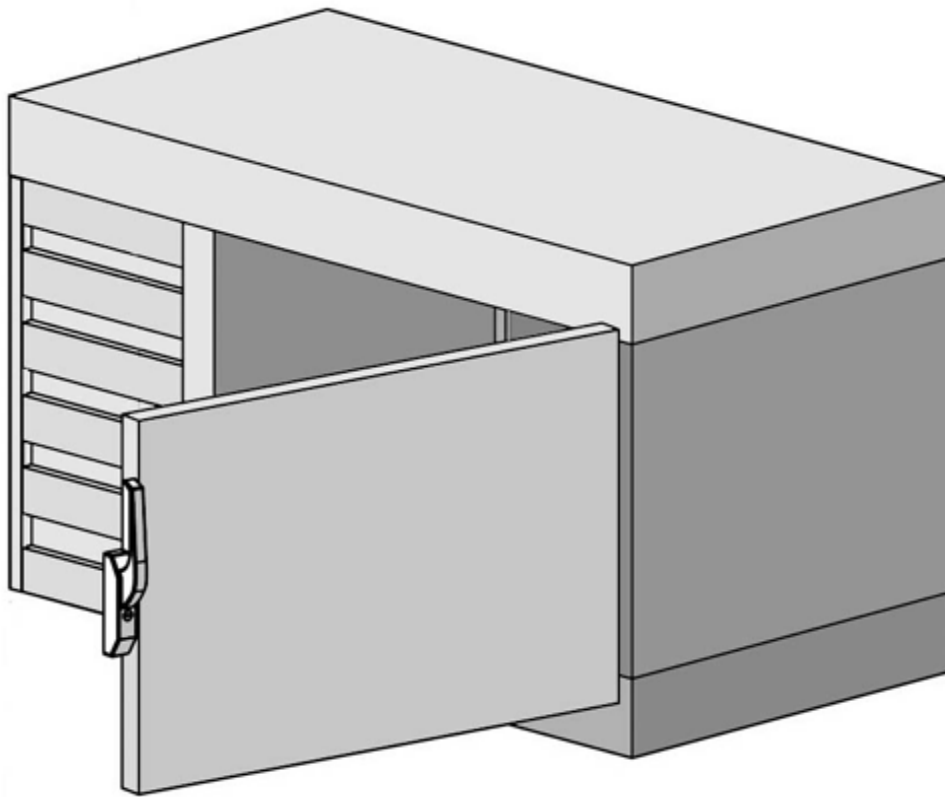


Figure 30 – NAV-10-LT-CT Marine Under Counter Freezer Unit

MODEL SPECIFICATIONS

NAV-10-LT-CT Under Counter Freezer Unit	
INTERIOR VOLUME (CU.FT)	10
WIDTH	49"
HEIGHT	28"
DEPTH	25"
BODY DEPTH W/DOORS	27"
NUMBER OF SHELVES	1
NUMBER OF DOORS	1
ASSEMBLED WEIGHT (LBS)	325
CRATED WEIGHT (LBS)	430
REFRIGERANT	R404A
BTU / HOUR	3000
VOLTAGE	115
AMPERE	7.5
PHASE	1
COMPRESSOR	1/3 HP
SERVICE DISCONNECT	YES

NAV-10-LT-CT Specifications

Model NAV-15-LT-CT MARINE UNDER COUNTER FREEZER

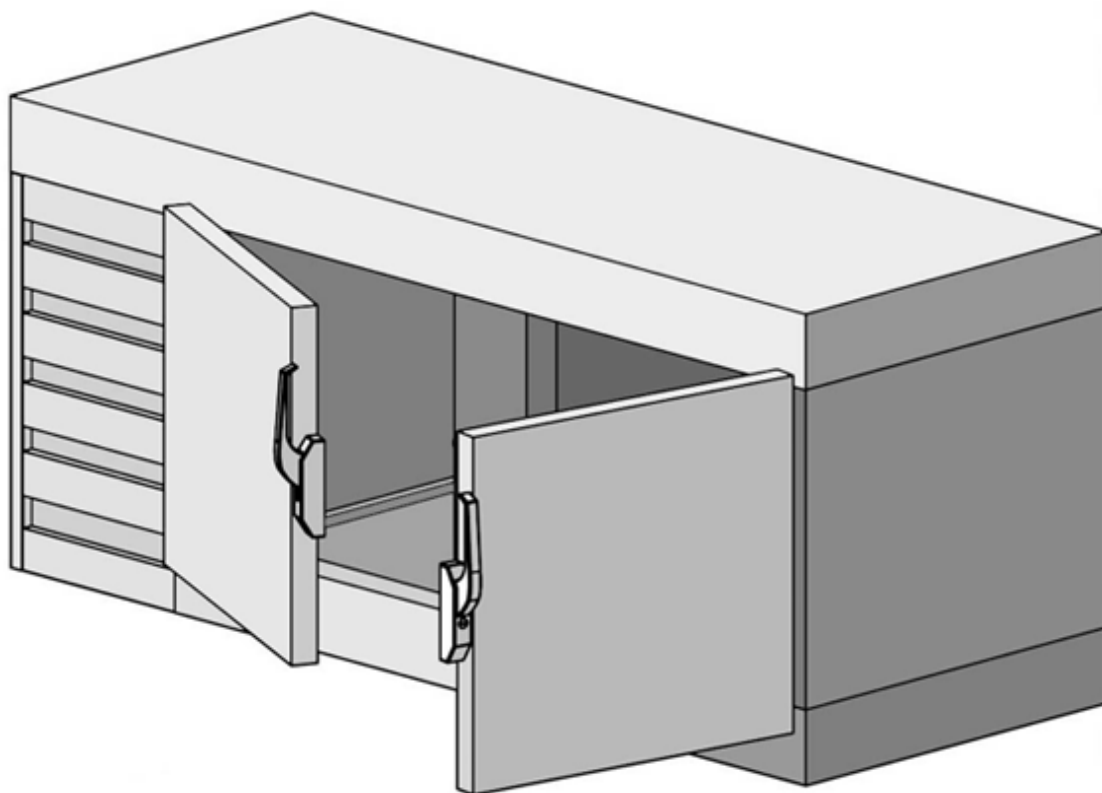


Figure 31 – NAV-15-LT-CT Marine Under Counter Freezer Unit

MODEL SPECIFICATIONS

NAV-15-LT-CT Under Counter Freezer Unit	
INTERIOR VOLUME (CU.FT)	15
WIDTH	66"
HEIGHT	28"
DEPTH	25"
BODY DEPTH W/DOORS	27"
NUMBER OF SHELVES	2
NUMBER OF DOORS	2
ASSEMBLED WEIGHT (LBS)	340
CRATED WEIGHT (LBS)	440
REFRIGERANT	R404A
BTU / HOUR	3500
VOLTAGE	115
AMPERE	8
PHASE	1
COMPRESSOR	1/3 HP
SERVICE DISCONNECT	YES

NAV-15-LT-CT Specifications

Model NAV-20-LT-CT MARINE UNDER COUNTER FREEZER

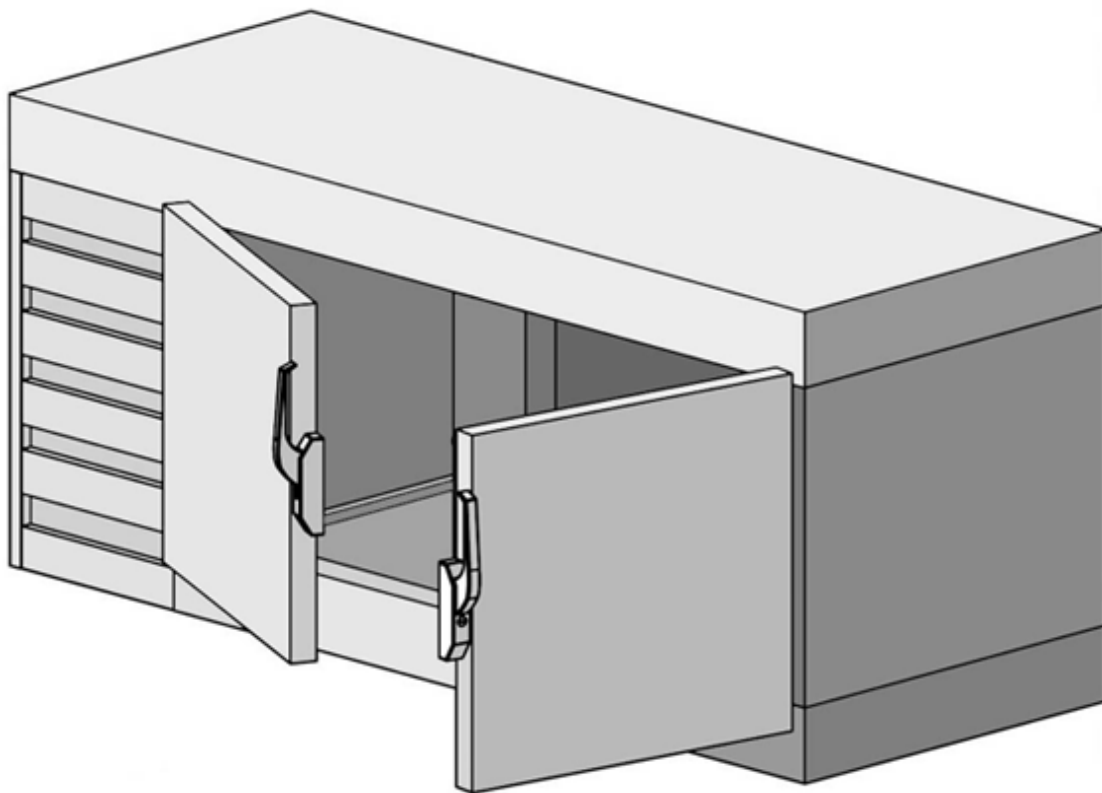


Figure 32 – NAV-20-LT-CT Marine Under Counter Freezer Unit

MODEL SPECIFICATIONS

NAV-20-LT-CT Under Counter Freezer Unit	
INTERIOR VOLUME (CU.FT)	20
WIDTH	84"
HEIGHT	28"
DEPTH	25"
BODY DEPTH W/DOORS	30"
NUMBER OF SHELVES	2
NUMBER OF DOORS	2
ASSEMBLED WEIGHT (LBS)	390
CRATED WEIGHT (LBS)	510
REFRIGERANT	R404A
BTU / HOUR	4000
VOLTAGE	115
AMPERE	9
PHASE	1
COMPRESSOR	1/2 HP
SERVICE DISCONNECT	YES

NAV-20-LT-CT Specifications

Model NAV-30-LT-CT MARINE UNDER COUNTER FREEZER

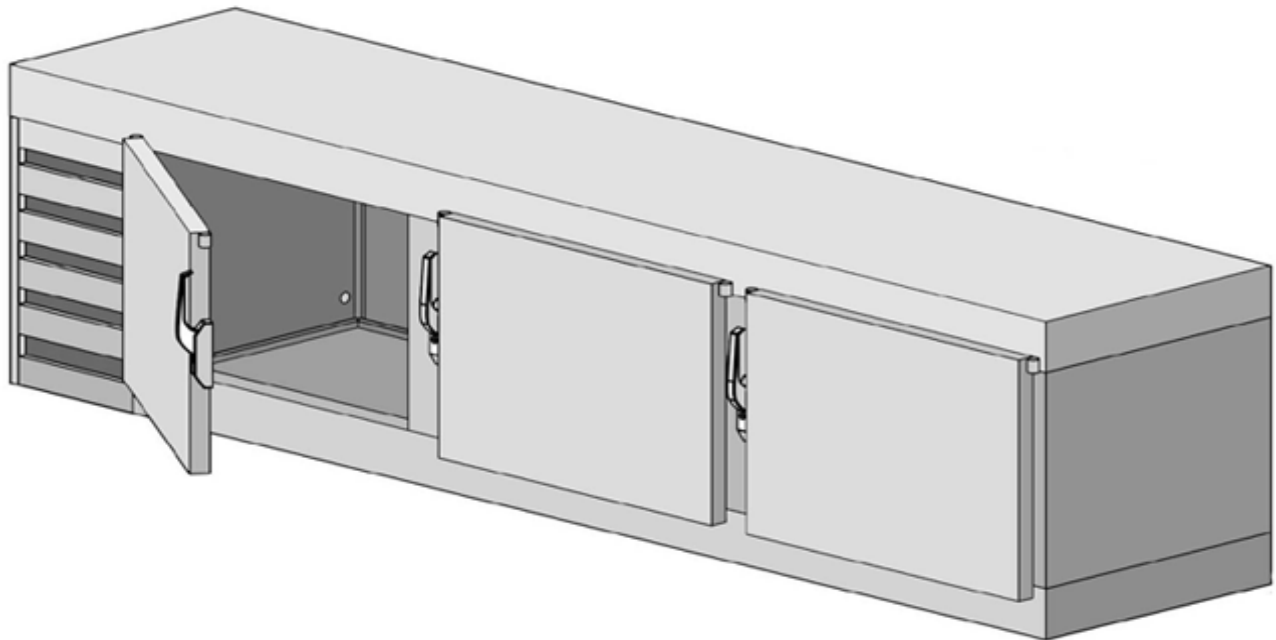


Figure 33 – NAV-30-LT-CT Marine Under Counter Freezer Unit

MODEL SPECIFICATIONS

NAV-30-LT-CT Under Counter Freezer Unit	
INTERIOR VOLUME (CU.FT)	30
WIDTH	115"
HEIGHT	31"
DEPTH	26"
BODY DEPTH W/DOORS	28"
NUMBER OF SHELVES	4
NUMBER OF DOORS	3
ASSEMBLED WEIGHT (LBS)	615
CRATED WEIGHT (LBS)	715
REFRIGERANT	R404A
BTU / HOUR	5500
VOLTAGE	115
AMPERE	10
PHASE	1
COMPRESSOR	3/4 HP
SERVICE DISCONNECT	YES

NAV-30-LT-CT Specifications

CHAPTER 6

MARINE UNDER COUNTER REFRIGERATORS



MARINE UNDER COUNTER REFRIGERATORS

Optional Equipment

- *Modular Design*
- *Aluminum Construction*
- *Digital Thermometer*
- *Spring Assist Hinges*

Construction

- *Reinforced #304 stainless steel top, 11 gauge sub-top*
- *Formed in place, CFC free urethane insulation, highest R-value*
- *Stainless steel spill proof shelves adjustable on ½" centers*
- *Stainless steel louver panel (allows intake & discharge of air from front of cabinet)*
- *2" exterior dial thermometer*
- *Extra heavy duty chrome plated hinges*
- *Positive keyed locking handle provides best seal.*
- *Vinyl extruded replacement gaskets*
- *Stainless steel footed leg*

Heavy Duty Refrigeration Unit

- *Ozone safe R-134A refrigerator*
- *Wrapped refrigeration system*
- *Sealed, condensing unit, air or water cooled with pull out design*
- *Preset temperature controls thermostatic expansion valve*
- *Thermostatic expansion valve*

Model NAV-5-HT-CT MARINE UNDER COUNTER REFRIGERATOR

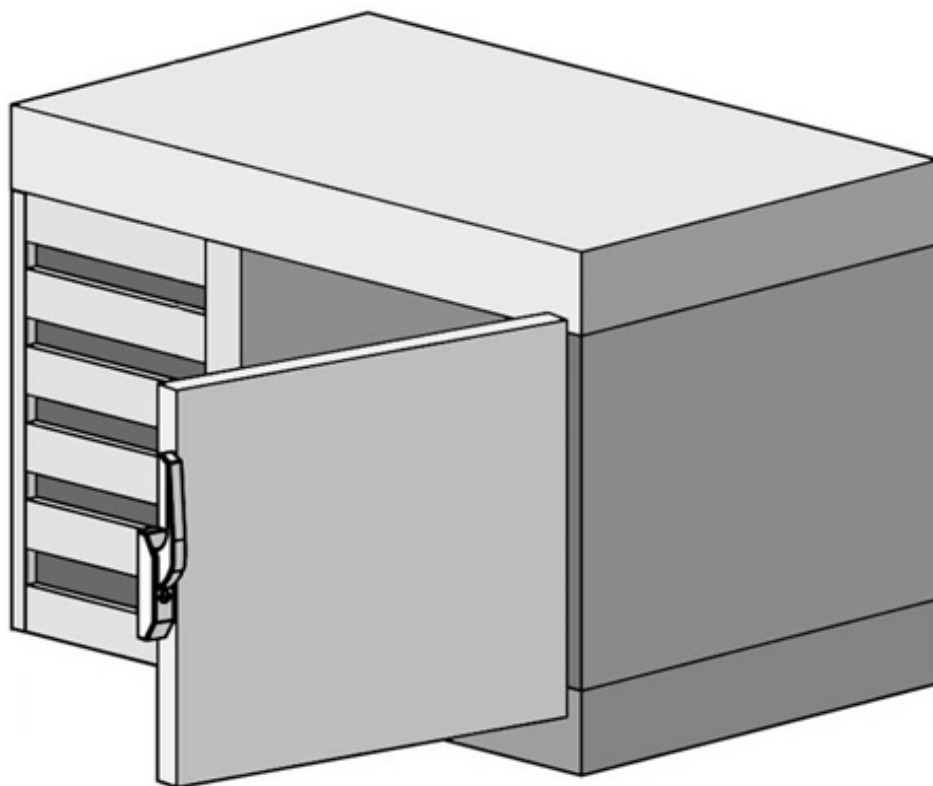


Figure 34 – NAV-5-HT-CT Marine Under Counter Refrigerator Unit

MODEL SPECIFICATIONS

NAV-5-HT-CT Under Counter Refrigerator Unit	
INTERIOR VOLUME (CU.FT)	5
WIDTH	40"
HEIGHT	28"
DEPTH	25"
BODY DEPTH W/DOORS	27"
NUMBER OF SHELVES	1
NUMBER OF DOORS	1
ASSEMBLED WEIGHT (LBS)	275
CRATED WEIGHT (LBS)	390
REFRIGERANT	R134A
BTU / HOUR	2500
VOLTAGE	115
AMPERE	5
PHASE	1
COMPRESSOR	1/4 HP
SERVICE DISCONNECT	YES

NAV-5-HT-CT Specifications

Model NAV-10-HT-CT MARINE UNDER COUNTER REFRIGERATOR

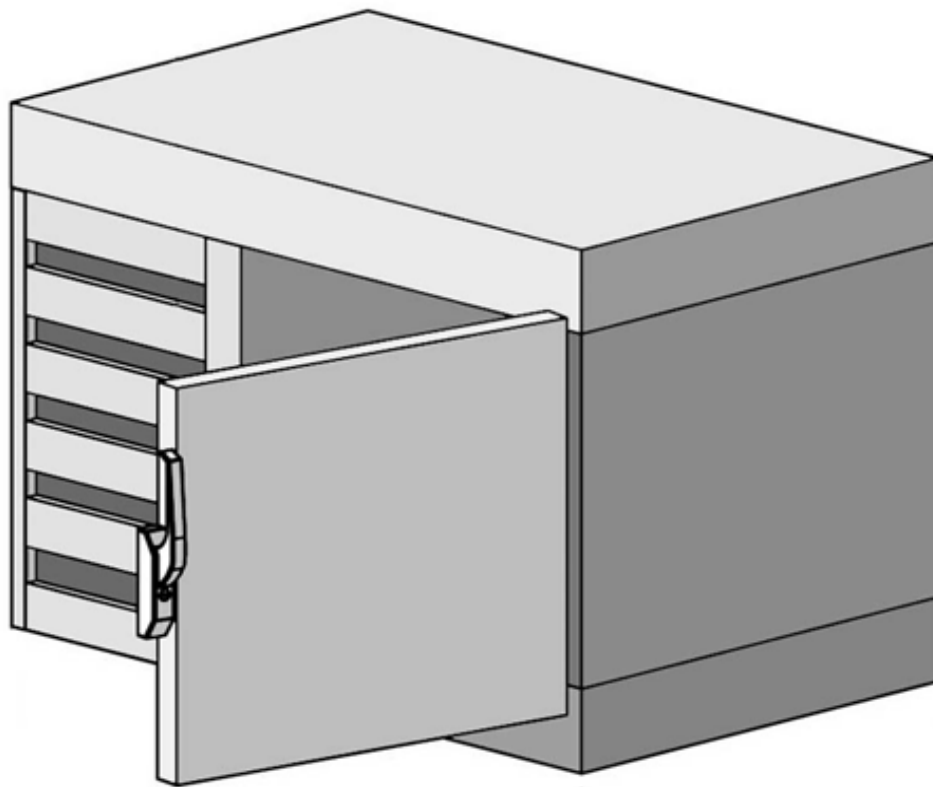


Figure 35 – NAV-10-HT-CT Marine Under Counter Refrigerator Unit

MODEL SPECIFICATIONS

NAV-10-HT-CT Under Counter Refrigerator Unit	
INTERIOR VOLUME (CU.FT)	10
WIDTH	49"
HEIGHT	28"
DEPTH	25"
BODY DEPTH W/DOORS	27"
NUMBER OF SHELVES	1
NUMBER OF DOORS	1
ASSEMBLED WEIGHT (LBS)	325
CRATED WEIGHT (LBS)	430
REFRIGERANT	R134A
BTU / HOUR	3000
VOLTAGE	115
AMPERE	4
PHASE	1
COMPRESSOR	1/3 HP
SERVICE DISCONNECT	YES

NAV-10-HT-CT Specifications

Model NAV-15-HT-CT MARINE UNDER COUNTER REFRIGERATOR

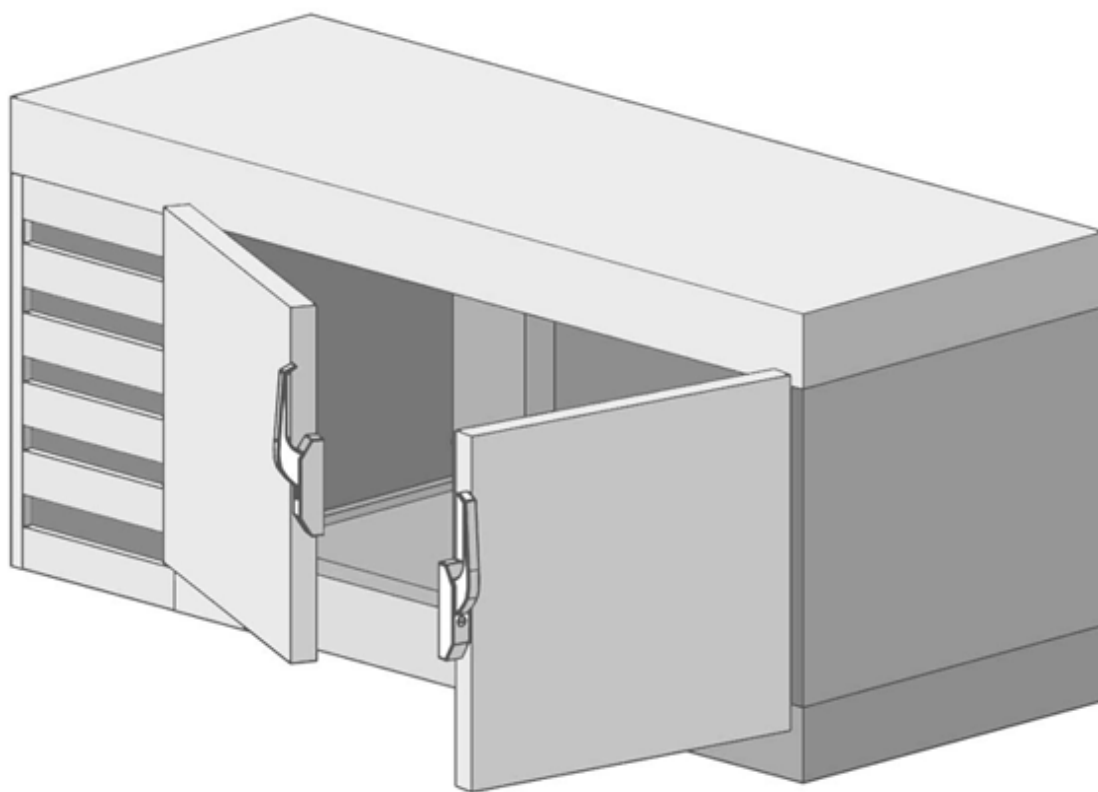


Figure 36 – NAV-15-HT-CT Marine Under Counter Refrigerator Unit

MODEL SPECIFICATIONS

NAV-15-HT-CT Under Counter Refrigerator Unit	
INTERIOR VOLUME (CU.FT)	15
WIDTH	66"
HEIGHT	28"
DEPTH	25"
BODY DEPTH W/DOORS	27"
NUMBER OF SHELVES	2
NUMBER OF DOORS	2
ASSEMBLED WEIGHT (LBS)	340
CRATED WEIGHT (LBS)	440
REFRIGERANT	R134A
BTU / HOUR	4500
VOLTAGE	115
AMPERE	7
PHASE	1
COMPRESSOR	1/3 HP
SERVICE DISCONNECT	YES

NAV-15-HT-CT Specifications

Model NAV-20-HT-CT MARINE UNDER COUNTER REFRIGERATOR

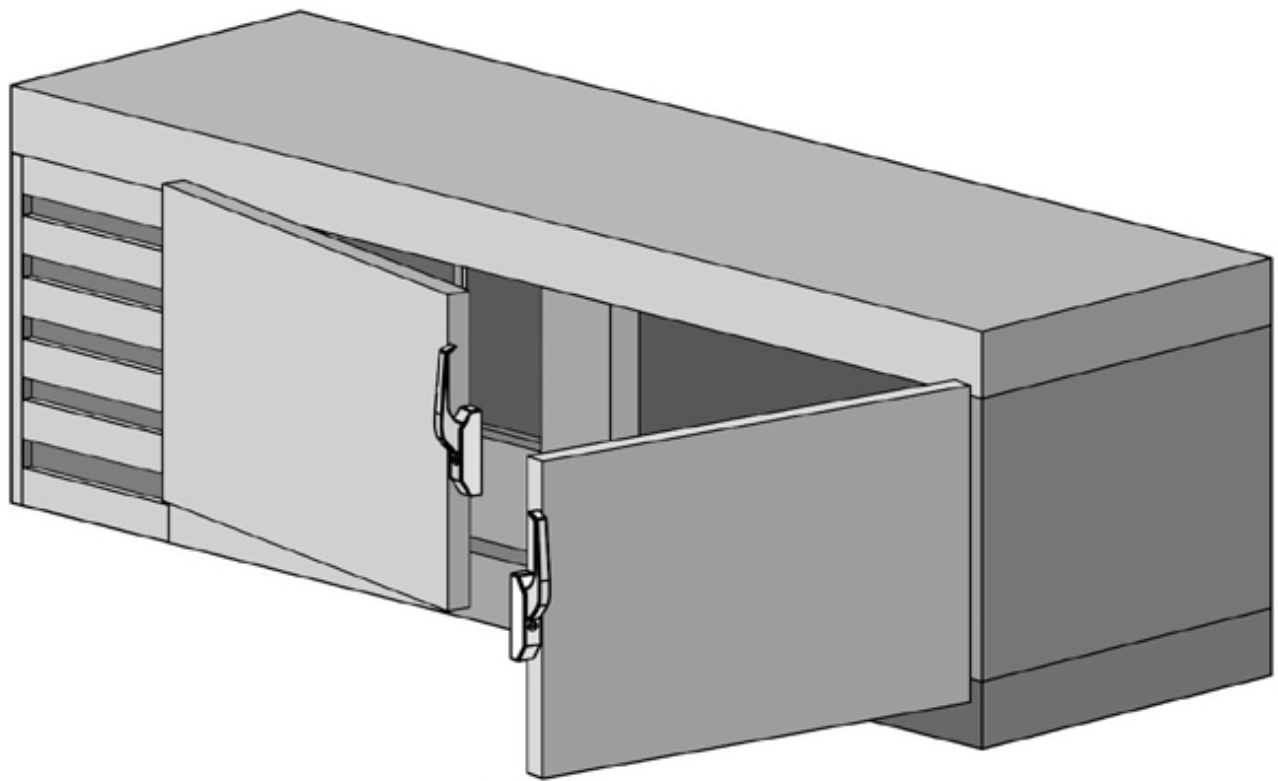


Figure 37 – NAV-20-HT-CT Marine Under Counter Refrigerator Unit

MODEL SPECIFICATIONS

NAV-20-HT-CT Under Counter Refrigerator Unit	
INTERIOR VOLUME (CU.FT)	20
WIDTH	84"
HEIGHT	28"
DEPTH	25"
BODY DEPTH W/DOORS	30"
NUMBER OF SHELVES	2
NUMBER OF DOORS	2
ASSEMBLED WEIGHT (LBS)	390
CRATED WEIGHT (LBS)	510
REFRIGERANT	R134A
BTU / HOUR	4500
VOLTAGE	115
AMPERE	6
PHASE	1
COMPRESSOR	1/3 HP
SERVICE DISCONNECT	YES

NAV-20-HT-CT Specifications

Model NAV-30-HT-CT MARINE UNDER COUNTER REFRIGERATOR

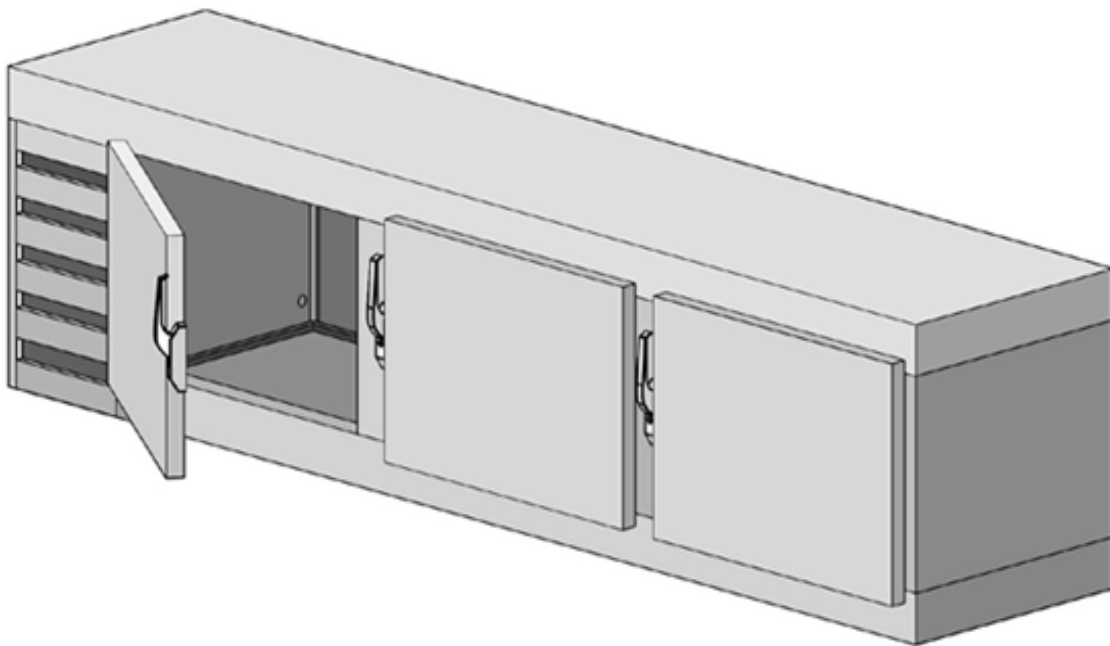


Figure 38 – NAV-30-HT-CT Marine Under Counter Refrigerator Unit

MODEL SPECIFICATIONS

NAV-30-HT-CT Under Counter Refrigerator Unit	
INTERIOR VOLUME (CU.FT)	30
WIDTH	115"
HEIGHT	28"
DEPTH	25"
BODY DEPTH W/DOORS	27"
NUMBER OF SHELVES	4
NUMBER OF DOORS	3
ASSEMBLED WEIGHT (LBS)	615
CRATED WEIGHT (LBS)	715
REFRIGERANT	R134A
BTU / HOUR	5000
VOLTAGE	115
AMPERE	6
PHASE	1
COMPRESSOR	1/2 HP
SERVICE DISCONNECT	YES

NAV-30-HT-CT Specifications

WARRANTY

WE WARRANT TO THE ORIGINAL PURCHASER THAT THIS REFRIGERATOR OR FREEZER WILL BE FREE FROM DEFECTS IN MATERIAL AND WORKMANSHIP UNDER NORMAL USE AND SERVICE AS DETERMINED BY US.

WE WILL WITHIN ONE YEAR FROM THE DATE OF ORIGINAL INSTALLATION OR EIGHTEEN MONTHS FROM THE ORIGINAL SHIPMENT FROM FACTORY, WHICHEVER IS SOONER, REPLACE WITHOUT CHARGE, ANY PART OR PORTION THEREOF, WHICH IS RETURNED TO US, TRANSPORTATION CHARGES PREPAID TO THE FACTORY, AND WHICH UPON EXAMINATION SHALL DISCLOSE TO OUR SATISFACTION TO BE DEFECTIVE.

THIS WARRANTY DOES NOT APPLY TO ANY REPLACEMENT NECESSITATED BY ANY OTHER CAUSES, INCLUDING BUT NOT LIMITED TO, ANY REFRIGERATOR OR FREEZER WHICH HAS BEEN SUBJECT TO ABUSE, MISUSE, NEGLIGENCE, OR ALTERATION UNAUTHORIZED BY US, ACCIDENT OR DAMAGE BY FIRE, ACT OF GOD, OR IN TRANSIT, AND IS IN LIEU OF ALL OTHER WARRANTIES EXCEPT SUCH AS MAY BE SET FORTH IN WRITING AND SIGNED BY US. THIS WARRANTY DOES NOT COVER ANY LABOR COST FOR REPLACING DEFECTIVE PARTS.

WE SHALL NOT BE LIABLE FOR DAMAGE OR LOSS DUE TO ANY DELAYS IN REPLACEMENT OR FOR ANY CONSEQUENTIAL DAMAGES.

BE ADVISED THAT REMOVAL OF ORIGINAL SERIAL NUMBERS OR DEVIATION FROM THE PUBLISHED INSTALLATION OR OPERATING INSTRUCTIONS, OR FROM THE RATED CAPACITY OF THE REFRIGERATOR OR FREEZER WHEN NOT AUTHORIZED IN WRITING BY US, INVALIDATES THIS WARRANTY.

THIS WARRANTY MAY NOT BE MODIFIED EXCEPT IN WRITING SIGNED BY US.

RTF Manufacturing
ATMOST REFRIGERATION

LOST OR DAMAGED SHIPMENT

Always check your freight for shortages for signs of damage, every time you receive shipment. If there is a problem, immediately bring it to the attention of the driver and then take the following steps:

FOR VISIBLE DAMAGE:

If the containers in your shipment show visible signs of damage, open them immediately to check contents, and ask the driver to inspect the contents with you. Then write a complete description of the damage on both copies of the delivery receipt. After delivery, contact your local terminal to help determine if an inspection and formal written report is required.

OCCASIONALLY, IT MAYBE NECESSARY TO HAVE AN INSPECTOR EXAMINE THE DAMAGED FREIGHT!

A carrier may also request that you do the inspection yourself and keep a written description IN CASE A CLAIM IS FILED. "AN INSPECTION REPORT IS NOT A CLAIM"

FOR CONCEALED LOSS OR DAMAGE:

As soon as possible after delivery, unpack and inspect your shipment. If you discover concealed damage report it immediately to the carrier, and request an inspection within 15 days from the date it was delivered.

HOW TO FILE A CLAIM:

A claim and its' supporting documentation are required to be filed within (9) months of delivery. Freight carriers will not pay a claim unless it is filed, in writing, within the 9 month period.

PROCEDURE FOR FILING A CLAIM:

- A. Determine the dollar amount which represents your loss.
- B. Complete the carrier's claim form.
- C. Collect the following documents to support your claim-
 1. A Vendor Invoice for the goods, including the full price paid after any discounts or deductions.
 2. A copy of the Freight Bill.
 3. A copy of the Bill of Lading.
 4. Send or fax your claim and all related documents to the Carrier Claim Department.

CLAIM PROCESSING:

Once you register your claim, the carrier will assign a Claim Number and a Claim Investigator to your claim.



793 Route 66, Hudson, NY 12534
Toll Free: 1-800-836-0744 – Fax: (518) 828-2257
Email: info@rtfmanufacturing.com