

Non-Pass-Through Evidence Storage Locker

Model # ES-5-HT-B

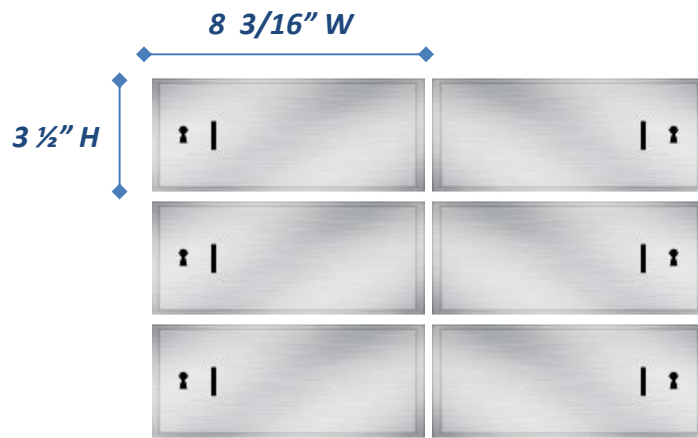


FEATURES

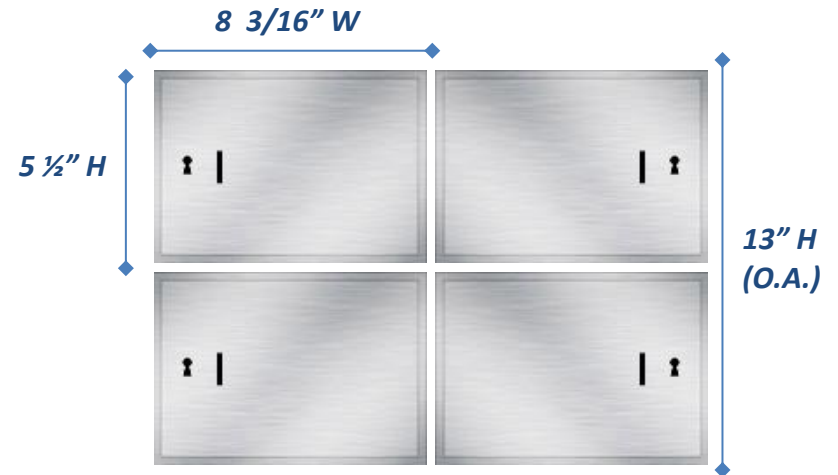
- Cabinet Dimensions: 34" x 24" x 24"
- Locker Configuration: 6 small locker plexes
- Stainless steel interior and exterior
- Digital temperature surveillance with high/low temperature alarm
- R 134 refrigerant
- 115 VAC 6a

Non-Pass-Through Evidence Storage Locker Plexes Configurations

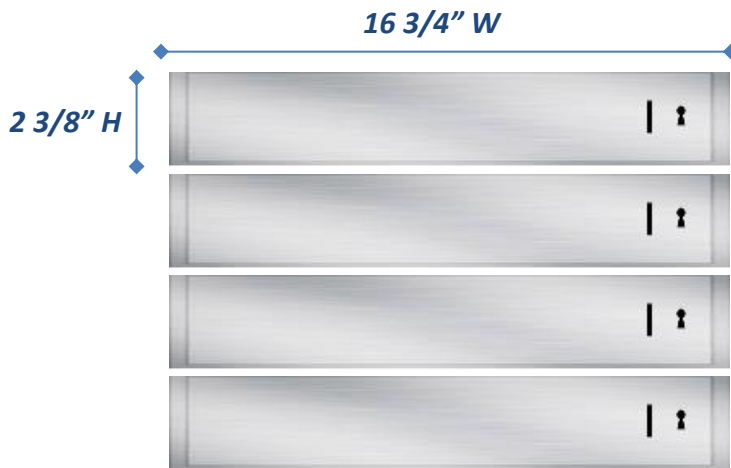
Model # ES-5-HT-B



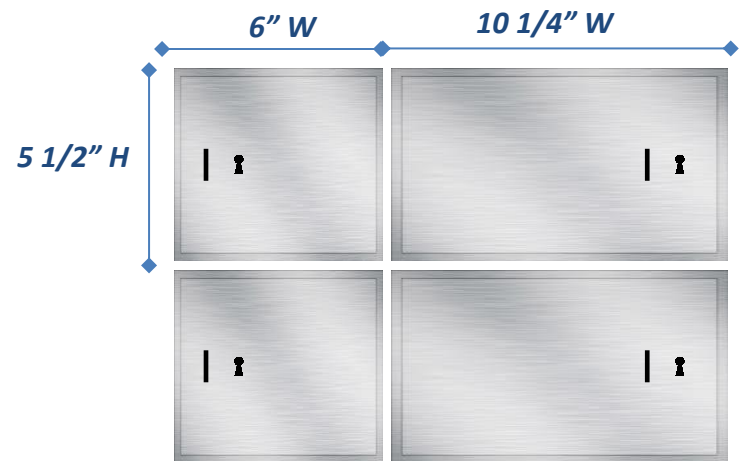
6 Door Regular Insert



4 Door Regular Insert



4 Door Horizontal Insert



4 Door Irregular Insert